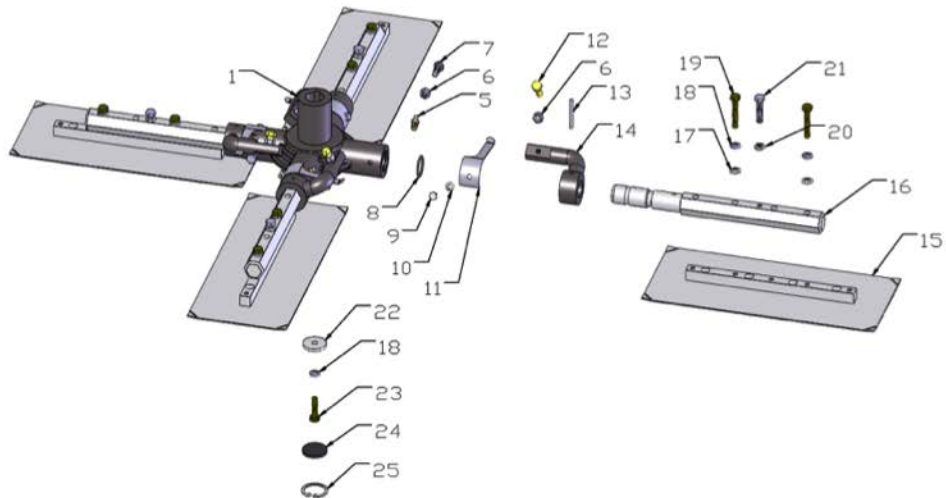
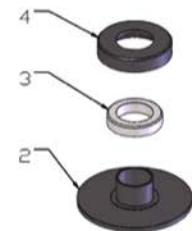


## TOL90GBAIJ-01 SPIDER ASSY

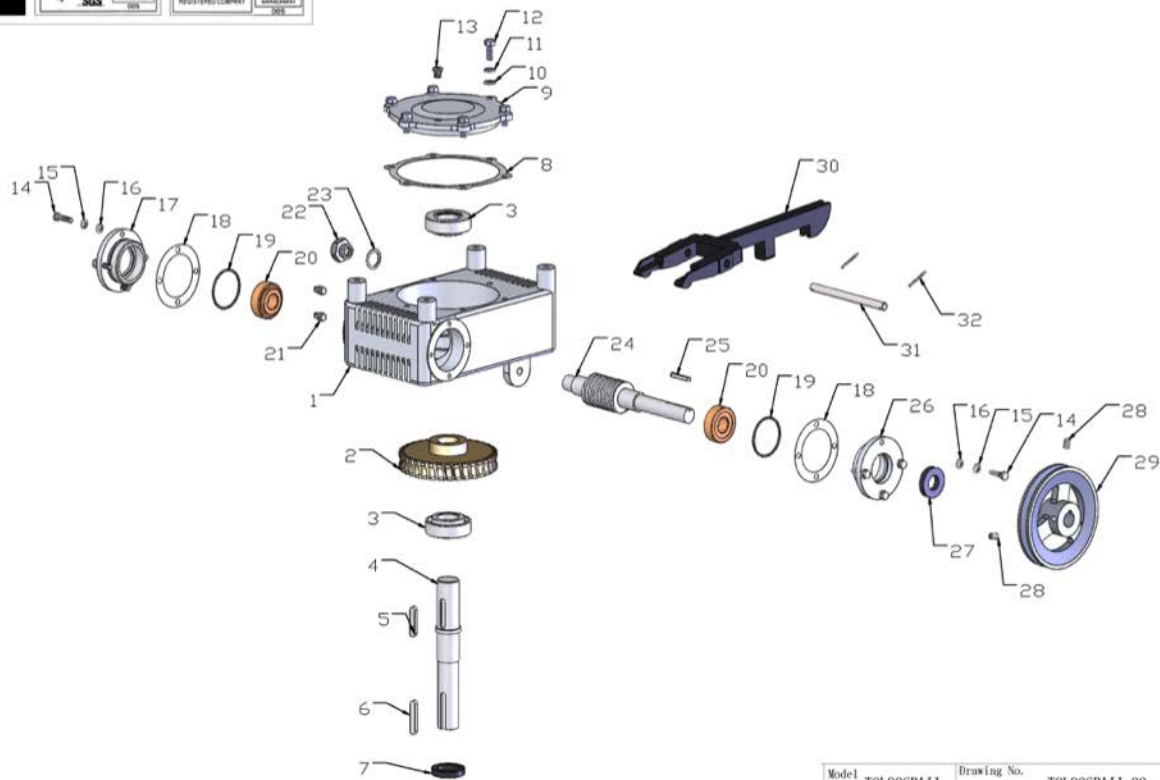
| NO.   | PART NO.                        | PART DESCRIPTION        | QTY |
|-------|---------------------------------|-------------------------|-----|
| 01-1  | TOL90GBAIJ-100G-040301          | SPIDER                  | 1   |
| 01-2  | TOL90GBAIJ-100G-040303          | TILT PLATE              | 1   |
| 01-3  | TOL90GBAIJ-W01-NIS-55TNK29      | BEARING                 | 1   |
| 01-4  | TOL90GBAIJ-100G-040302          | BEARING HOUSING         | 1   |
| 01-5  | TOL90GBAIJ-TOL-T-001            | GREASE NIPPLE           | 4   |
| 01-6  | TOL90GBAIJ-FN.N-M8-DIN-1        | NUT                     | 8   |
| 01-7  | TOL90GBAIJ-FN.B-M8x20-8.8-DIN-1 | BOLT                    | 4   |
| 01-8  | TOL90GBAIJ-W04-25x3             | O RING                  | 4   |
| 01-9  | TOL90GBAIJ-FN.B-M6x10-8.8-DIN-1 | BOLT                    | 4   |
| 01-10 | TOL90GBAIJ-HSPG.W6-DIN-1        | SPRING WASHER,TANG ENDS | 4   |
| 01-11 | TOL90GBAIJ-100G-060300          | SPRING SLICE            | 4   |
| 01-12 | TOL90GBAIJ-SHH.B-M8x25          | BOLT                    | 4   |
| 01-13 | TOL90GBAIJ-SC.PIN-5x46-GB-3     | SPRING PIN              | 4   |
| 01-14 | TOL90GBAIJ-100G-060200          | TILT ARM                | 4   |
| 01-15 | TOL90GBAIJ-100G-050000          | BLADE                   | 4   |
| 01-16 | TOL90GBAIJ-100G-060100D         | SPIDER ARM              | 4   |
| 01-17 | TOL90GBAIJ-FN.W8-DIN-1          | WASHER                  | 5   |
| 01-18 | TOL90GBAIJ-HSPG.W8-DIN-1        | SPRING WASHER,TANG ENDS | 6   |
| 01-19 | TOL90GBAIJ-FN.B-M8x45-8.8-DIN-1 | BOLT                    | 5   |
| 01-20 | TOL90GBAIJ-FNL.N-M8-DIN-1       | THIN NUT                | 4   |
| 01-21 | TOL90GBAIJ-FN.B-M8x35-8.8-DIN-1 | BOLT                    | 4   |
| 01-22 | TOL90GBAIJ-80-0402              | WASHER                  | 1   |
| 01-23 | TOL90GBAIJ-FN.B-M8x30-8.8-DIN-1 | BOLT                    | 1   |
| 01-24 | TOL90GBAIJ-100G-040305          | RUBBER WASHER           | 1   |
| 01-25 | TOL90GBAIJ-CH.RG36              | INTERNAL CIRCLIP        | 1   |



|             |             |             |               |
|-------------|-------------|-------------|---------------|
| Model       | TOL90GBATI  | Drawing No. | TOL90GBATI-01 |
| Description | SPIDER ASSY |             |               |
|             |             |             |               |

## TOL90GBAII-02 GEARBOX ASSY

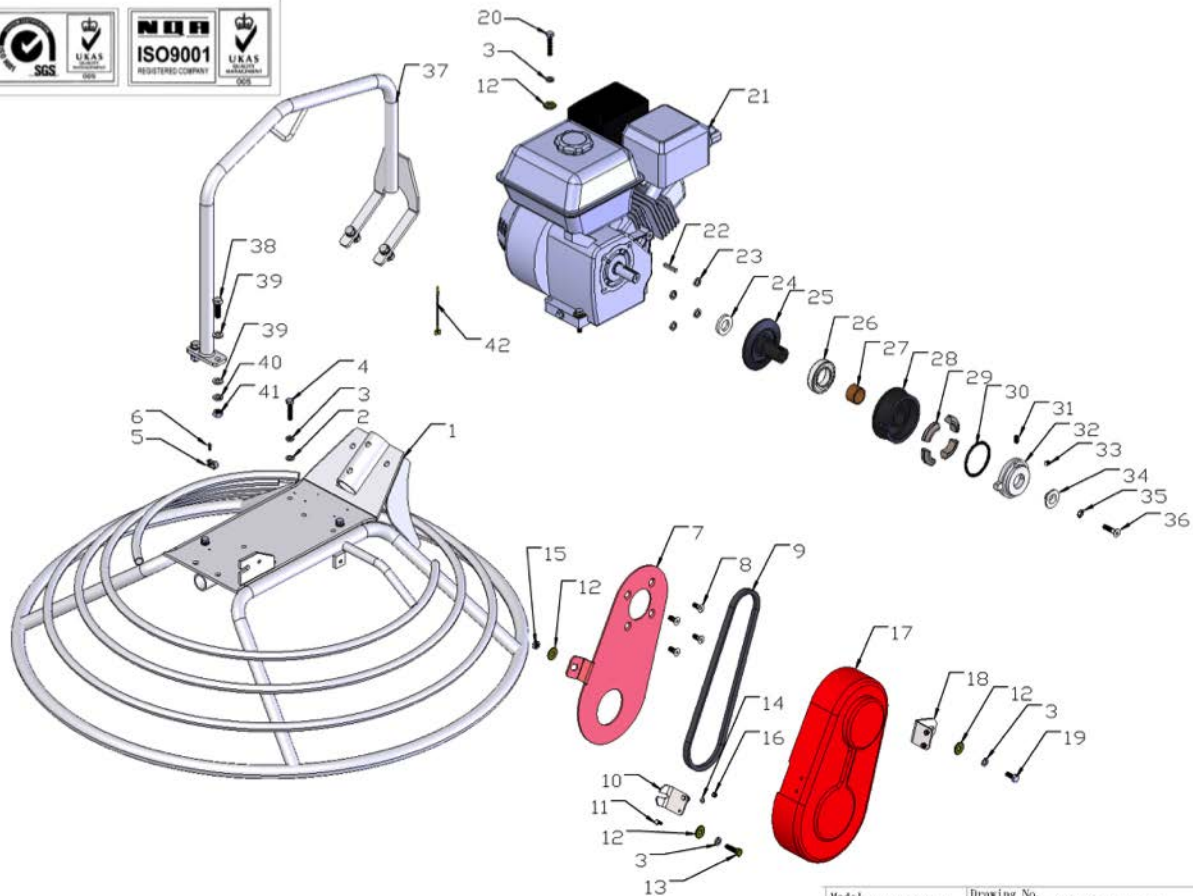
| NO.   | PART NO.                        | PART DESCRIPTION         | QTY |
|-------|---------------------------------|--------------------------|-----|
| 02-1  | TOL90GBAII-947-040001           | WORM GEAR BOX            | 1   |
| 02-2  | TOL90GBAII-100GB-040107         | WORM GEAR                | 1   |
| 02-3  | TOL90GBAII-W01-32206-J          | BEARING                  | 2   |
| 02-4  | TOL90GBAII-100GB-040115         | WORM GEAR SHAFT          | 1   |
| 02-5  | TOL90GBAII-Key.A-8x7x40         | KEY                      | 1   |
| 02-6  | TOL90GBAII-Key.A-8x7x45         | KEY                      | 1   |
| 02-7  | TOL90GBAII-W03-45x30x8          | OIL SEAL                 | 1   |
| 02-8  | TOL90GBAII-100GB-040402         | SEAL, TOP COVER          | 1   |
| 02-9  | TOL90GBAII-100GB-040110         | TOP COVER                | 1   |
| 02-10 | TOL90GBAII-FN.W8-DIN-1          | WASHER                   | 6   |
| 02-11 | TOL90GBAII-HSPG.W8-DIN-1        | SPRING WASHER, TANG ENDS | 6   |
| 02-12 | TOL90GBAII-FN.B-M8x20-8.8-DIN-1 | BOLT                     | 6   |
| 02-13 | TOL90GBAII-100G-000004          | VENT SCREW               | 1   |
| 02-14 | TOL90GBAII-FN.B-M6x25-8.8-DIN-1 | BOLT                     | 8   |
| 02-15 | TOL90GBAII-HSPG.W6-DIN-1        | SPRING WASHER, TANG ENDS | 8   |
| 02-16 | TOL90GBAII-FN.W6-DIN-1          | WASHER                   | 8   |
| 02-17 | TOL90GBAII-100GB-040302         | CLOSE COVER              | 1   |
| 02-18 | TOL90GBAII-100GB-040401         | SEAL, SIDE COVER         | 2   |
| 02-19 | TOL90GBAII-W04-47.7x2.65        | O RING                   | 2   |
| 02-20 | TOL90GBAII-W01-32204-J          | BEARING                  | 2   |
| 02-21 | TOL90GBAII-100GB-040111         | STOPPER                  | 2   |
| 02-22 | TOL90GBAII-100GB-041000         | OIL GAUGE                | 1   |
| 02-23 | TOL90GBAII-ZH-D-M20             | WASHER                   | 1   |
| 02-24 | TOL90GBAII-120GB-040308         | WORM                     | 1   |
| 02-25 | TOL90GBAII-Key.A-5x5x36         | KEY                      | 1   |
| 02-26 | TOL90GBAII-100GB-040310         | SIDE COVER               | 1   |
| 02-27 | TOL90GBAII-W03-40x20x8          | OIL SEAL                 | 1   |
| 02-28 | TOL90GBAII-FHSS.S-M8x12-GB-3    | GRUB SCREW               | 2   |
| 02-29 | TOL90GBAII-100GB-040314         | PULLEY                   | 1   |
| 02-30 | TOL90GBAII-100G-060400          | TILT YOKE                | 1   |
| 02-31 | TOL90GBAII-100G-060500          | SHAFT                    | 1   |
| 02-32 | TOL90GBAII-SP.PIN-2x26-GB-2     | SPLIT PIN                | 2   |



|             |              |             |               |
|-------------|--------------|-------------|---------------|
| Model       | TOL90GBA11   | Drawing No. | TOL90GBA11-02 |
| Description | GEARBOX ASSY |             |               |
|             |              |             |               |

## TOL90GBAII-03 ENGINE BASE AND CLUTCH ASSY

| NO.   | PART NO.                   | PART DESCRIPTION                         | QTY |
|-------|----------------------------|--|-----|
| 03-1  | TOL90GBAII-90GB-020000     | GUARD RING                               | 1   |
| 03-2  | TOL90GBAII-FN.W8           | WASHER                                   | 4   |
| 03-3  | TOL90GBAII-SPG.W8          | SPRING WASHER                            | 10  |
| 03-4  | TOL90GBAII-FN.B-M8x35-8.8  | BOLT                                     | 4   |
| 03-5  | TOL90GBAII-X1-J-10.4       | CABLE CLAMP                              | 1   |
| 03-6  | TOL90GBAII-PAN.S-M4x10     | PAN HEAD SCREW                           | 1   |
| 03-7  | TOL90GBAII-90GB-030400     | BACK PLATE                               | 1   |
| 03-8  | TOL90GBAII-HSF.S-M8x20     | SOCKET COUNTERSUNK HEAD SCREW            | 4   |
| 03-9  | TOL90GBAII-W02-A29         | V-BELT                                   | 1   |
| 03-10 | TOL90GBAII-947-00402       | BRACKET 1                                | 1   |
| 03-11 | TOL90GBAII-FN.B-M5X12-8.8  | BOLT                                     | 4   |
| 03-12 | TOL90GBAII-WOD.W8          | WASHER                                   | 6   |
| 03-13 | TOL90GBAII-FN.B-M8x20-8.8  | BOLT                                     | 2   |
| 03-14 | TOL90GBAII-FN.W5           | WASHER                                   | 4   |
| 03-15 | TOL90GBAII-947-000017      | LOCK NUT                                 | 4   |
| 03-16 | TOL90GBAII-100G-030100     | BELT GUARD                               | 1   |
| 03-17 | TOL90GBAII-100G-030300     | BRACKET 2                                | 1   |
| 03-18 | TOL90GBAII-FN.B-M8x40-8.8  | BOLT                                     | 4   |
| 03-19 | TOL90GBAII-W05-GX160       | ENGINE                                   | 1   |
| 03-20 | TOL90GBAII-Key.B-5x5x32    | KEY                                      | 1   |
| 03-21 | TOL90GBAII-90GB-030500     | BUSH                                     | 4   |
| 03-22 | TOL90GBAII-276-030400      | BUSH, PTO                                | 1   |
| 03-23 | TOL90GBAII-100GB-070101    | SHAFT                                    | 1   |
| 03-24 | TOL90GBAII-W01-6007ZZ-J    | BEARING                                  | 1   |
| 03-25 | TOL90GBAII-100G-070500     | BUSH                                     | 1   |
| 03-26 | TOL90GBAII-100GB-070105    | CLUTCH DRUM                              | 1   |
| 03-27 | TOL90GBAII-100G-070400     | CLUTCH BLOCK                             | 4   |
| 03-28 | TOL90GBAII-100G-070109     | SPRING                                   | 1   |
| 03-29 | TOL90GBAII-FHSS.S-M8x12    | GRUB SCREW                               | 1   |
| 03-30 | TOL90GBAII-100G-070300     | CLUTCH PLATE                             | 1   |
| 03-31 | TOL90GBAII-ConeHSS.S-M8x12 | SOCKET HEAD SCREW                        | 1   |
| 03-32 | TOL90GBAII-90GB-030600     | END CAP                                  | 1   |
| 03-33 | TOL90GBAII-CETL.W8         | COUNTERSUNK EXTERNAL TOOTHED LOCK WASHER | 1   |
| 03-34 | TOL90GBAII-HSF.S-M8x35     | SOCKET COUNTERSUNK HEAD SCREW            | 1   |
| 03-35 | TOL90GBAII-90GB-030200     | LIFTING HANDLE                           | 1   |
| 03-36 | TOL90GBAII-FN.B-M10x30-8.8 | BOLT                                     | 4   |
| 03-37 | TOL90GBAII-FN.W10          | WASHER                                   | 8   |
| 03-38 | TOL90GBAII-SPG.W10         | SPRING WASHER                            | 4   |
| 03-39 | TOL90GBAII-FN.N-M10        | NUT                                      | 4   |

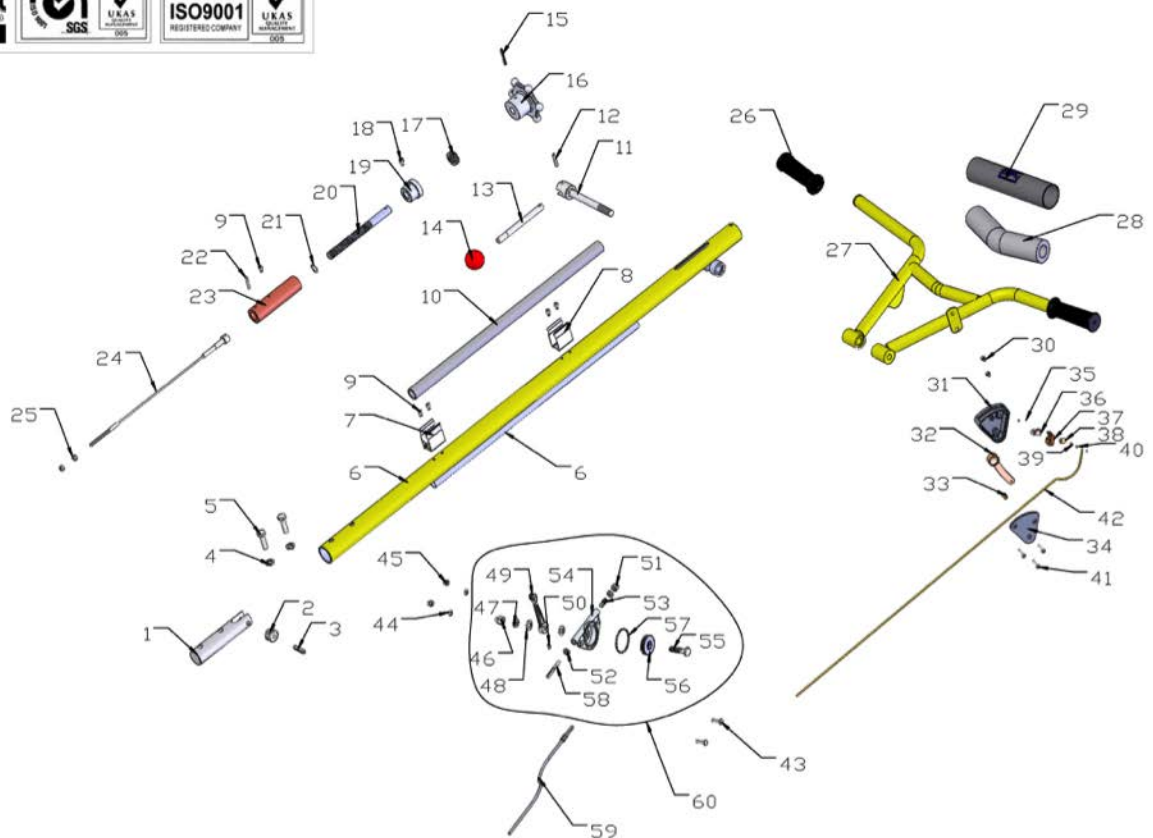


|       |            |             |               |
|-------|------------|-------------|---------------|
| Model | TOL90GBA11 | Drawing No. | TOL90GBA11-03 |
|-------|------------|-------------|---------------|

|             |                             |
|-------------|-----------------------------|
| Description | ENGINE BASE AND CLUTCH ASSY |
|-------------|-----------------------------|

## TOL90GBA II -04 OPERATION HANDLE ASSY

| NO.   | PART NO.                         | PART DESCRIPTION            | QTY |
|-------|----------------------------------|-----------------------------|-----|
| 04-1  | TOL90GBAII-100G-010005           | WHEEL BLOCK                 | 1   |
| 04-2  | TOL90GBAII-100G-010004           | WHEEL                       | 1   |
| 04-3  | TOL90GBAII-SC.PIN-8x32           | SPRING PIN                  | 1   |
| 04-4  | TOL90GBAII-HSPG.W10-DIN-1        | SPRING WASHER,TANG ENDS     | 2   |
| 04-5  | TOL90GBAII-FN.B-M10x35-8.8-DIN-1 | BOLT                        | 2   |
| 04-6  | TOL90GBAII-120GB-090100P         | HANDLE BOTTOM               | 1   |
| 04-7  | TOL90GBAII-100GBII-000003        | SPRING CLIP 2               | 1   |
| 04-8  | TOL90GBAII-100GBII-000001        | SPRING CLIP 1               | 1   |
| 04-9  | TOL90GBAII-HS.B-M5x8-8.8-GB-1    | SCREW                       | 5   |
| 04-10 | TOL90GBAII-100GBII-000002        | LIFTING TUBE                | 1   |
| 04-11 | TOL90GBAII-947-06606             | SCREWD-TOMMY BAR            | 1   |
| 04-12 | TOL90GBAII-SC.PIN-6x30           | SPRING PIN                  | 1   |
| 04-13 | TOL90GBAII-947-99947             | BAR                         | 1   |
| 04-14 | TOL90GBAII-SH.A-M12x40           | GRIP BALL                   | 1   |
| 04-15 | TOL90GBAII-SC.PIN-5x40           | SPRING PIN                  | 1   |
| 04-16 | TOL90GBAII-100G-010008           | PITCH CONTROL KNOB          | 1   |
| 04-17 | TOL90GBAII-W01-51103-J           | BEARING                     | 1   |
| 04-18 | TOL90GBAII-HS.B-M6x8-8.8-GB-1    | SCREW                       | 1   |
| 04-19 | TOL90GBAII-100G-010006           | BEARING COVER               | 1   |
| 04-20 | TOL90GBAII-100G-010003           | ADJUSTING SCREW             | 1   |
| 04-21 | TOL90GBAII-CS.RG16               | EXTERNAL CIRCLIP            | 1   |
| 04-22 | TOL90GBAII-SC.PIN-5x30           | SPRING PIN                  | 1   |
| 04-23 | TOL90GBAII-100G-010002           | SLIDE BUSH                  | 1   |
| 04-24 | TOL90GBAII-120GB-000010          | DEPTH CONTROL CABLE ASSY    | 1   |
| 04-25 | TOL90GBAII-FN.N-M6-DIN-1         | NUT                         | 2   |
| 04-26 | TOL90GBAII-100G-010001           | HANDLE COVER                | 2   |
| 04-27 | TOL90GBAII-120GB-090200F         | HANDLEBAR                   | 1   |
| 04-28 | TOL90GBAII-947-99998             | HANDLE FOAM                 | 1   |
| 04-29 | TOL90GBAII-120GB-000003          | HANDLE FABRIC               | 1   |
| 04-30 | TOL90GBAII-F.S-M5x10             | COUNTERSUNK HEAD SCREW      | 2   |
| 04-31 | TOL90GBAII-100G-010101           | CUTOUT SWITCH SHELL         | 1   |
| 04-32 | TOL90GBAII-100G-010103           | CUTOUT SWITCH LEVER         | 1   |
| 04-33 | TOL90GBAII-100G-010104           | CUTOUT SWITCH BUSH          | 1   |
| 04-34 | TOL90GBAII-100G-010102           | CUTOUT COVER                | 1   |
| 04-35 | TOL90GBAII-F.S-M3x30-DIN-1       | COUNTERSUNK HEAD SCREW      | 1   |
| 04-36 | TOL90GBAII-100G-010107           | CUTOUT SWITCH REED          | 1   |
| 04-37 | TOL90GBAII-100G-010105           | CUTOUT SWITCH OUTLET        | 1   |
| 04-38 | TOL90GBAII-100G-010106           | CUTOUT SWITCH WASHER        | 1   |
| 04-39 | TOL90GBAII-FN.W3-DIN-2           | WASHER                      | 1   |
| 04-40 | TOL90GBAII-FN.N-M3-DIN-2         | NUT                         | 2   |
| 04-41 | TOL90GBAII-F.S-M4x25-DIN-1       | COUNTERSUNK HEAD SCREW      | 3   |
| 04-42 | TOL90GBAII-100G-000014           | WIRE HARNESS                | 1   |
| 04-43 | TOL90GBAII-FN.B-M6x20-8.8-DIN-2  | BOLT                        | 2   |
| 04-44 | TOL90GBAII-HSPG.W6-DIN-1         | SPRING WASHER,TANG ENDS     | 2   |
| 04-45 | TOL90GBAII-HC.N-M6-DIN-2         | CAP NUT                     | 2   |
| 04-46 | TOL90GBAII-HC.N-M10-DIN-2        | CAP NUT                     | 1   |
| 04-47 | TOL90GBAII-FNL.N-M10-DIN-2       | HEXAGON THIN NUT            | 1   |
| 04-48 | TOL90GBAII-FN.W10-DIN-2          | WASHER                      | 2   |
| 04-49 | TOL90GBAII-70ND-060000           | THROTTLE LEVER              | 1   |
| 04-50 | TOL90GBAII-FHSS.S-M6x8-GB-3      | SOCKET SCREW WITH FLAT HEAD | 1   |
| 04-51 | TOL90GBAII-HC.N-M8-DIN-2         | CAP NUT                     | 1   |
| 04-52 | TOL90GBAII-FNL.N-M8-DIN-2        | HEXAGON THIN NUT            | 2   |
| 04-53 | TOL90GBAII-FHSS.S-M8x20-GB-3     | SOCKET SCREW WITH FLAT HEAD | 1   |
| 04-54 | TOL90GBAII-70ND-060001           | THROTTLE BODY               | 1   |
| 04-55 | TOL90GBAII-70ND-060003           | BOLT                        | 1   |
| 04-56 | TOL90GBAII-70ND-060002           | THROTTLE GEAR               | 1   |
| 04-57 | TOL90GBAII-W04-45x3              | O-RING                      | 1   |
| 04-58 | TOL90GBAII-70ND-060004           | SLIDER                      | 1   |
| 04-59 | TOL90GBAII-W06-S04-L1420x1620    | THROTTLE CABLE              | 1   |
| 04-60 | TOL90GBAII-70ND-010018           | THROTTLE LEVER ASSY         | 1   |



|             |                       |             |               |
|-------------|-----------------------|-------------|---------------|
| Model       | TOL90GBA II           | Drawing No. | TOL90GBA11-04 |
| Description | OPERATION HANDLE ASSY |             |               |
| I           |                       |             |               |