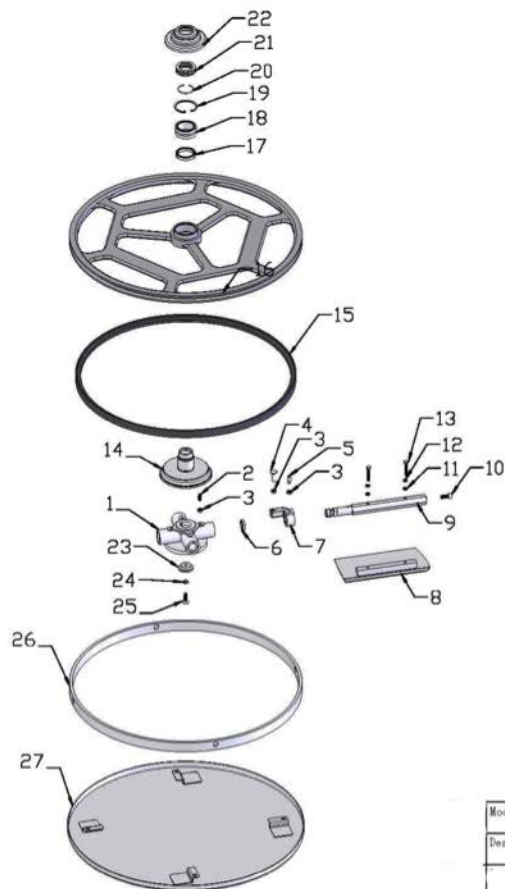


TOL60GA-01 SPIDER ASSY

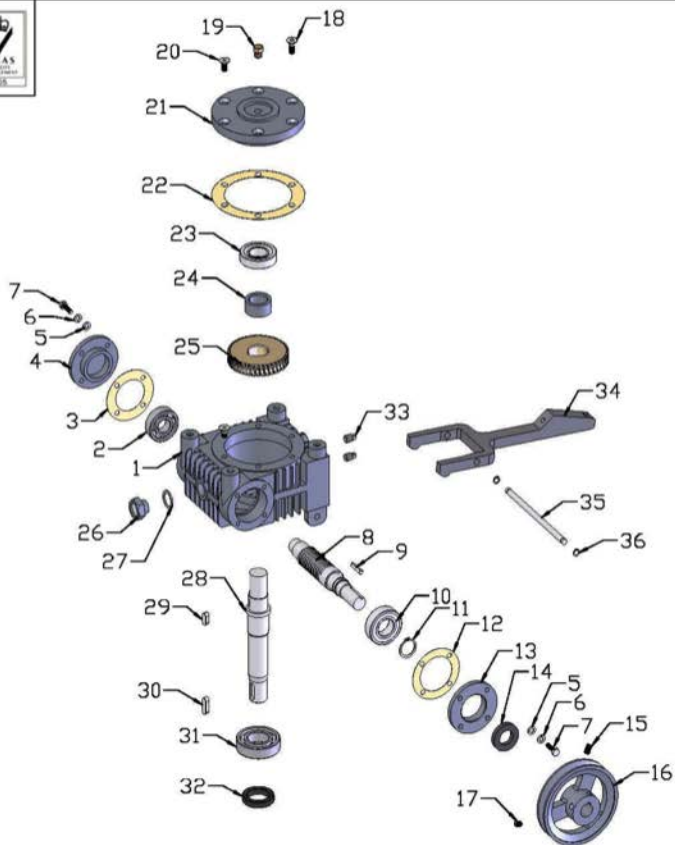
NO.	PART NO.	PART DESCRIPTION	QTY.
01-1	TOL60GA-606-050301	SPIDER	1
01-2	TOL60GA-ConeHSS.S-M8x20	SOCKET SCREW WITH FLAT HEAD	4
01-3	TOL60GA-FNL.N-M8-DIN-1	THIN NUT	12
01-4	TOL60GA-CHSN.B-M8x25-GB-1	BOLT	4
01-5	TOL60GA-GB79-85-M8x20	SOCKET SCREW WITH CYLINDRICAL HEAD	4
01-6	TOL60GA-W03-DH-20	OIL SEAL	4
01-7	TOL60GA-606-050401	TILT ARM	4
01-8	TOL60GA-606-050100	BLADE	4
01-9	TOL60GA-606-050501	SPIDER ARM	4
01-10	TOL60GA-HS.B-M8x20-8.8-GB-1	SCREW	4
01-11	TOL60GA-FN.W6-DIN-1	WASHER	8
01-12	TOL60GA-HSPG.W6-DIN-1	SPRING WASHER	8
01-13	TOL60GA-FN.B-M6x35-8.8-DIN-1	BOLT	8
01-14	TOL60GA-606-040303	TILT PLATE	1
01-15	TOL60GA-606-040802	RUBBER RING	1
01-16	TOL60GA-606-040801	GUARD PLATE	1
01-17	TOL60GA-W01-6808RS-J	BEARING	1
01-18	TOL60GA-W01-NKI 40/20-J	BEARING	1
01-19	TOL60GA-CH.RG55	INTERNAL CIRCLIP	1
01-20	TOL60GA-SS.RG40	EXTERNAL CIRCLIP	1
01-21	TOL60GA-W01-51107-J	BEARING	1
01-22	TOL60GA-606-040302	BEARING COVER	1
01-23	TOL60GA-606-050701	END CAP	1
01-24	TOL60GA-CETL.W8	COUNTERSUNK EXTERNAL TOOTHED LOCK WASHER	1
01-25	TOL60GA-HSF.S-M8x25-8.8-DIN-1	SOCKET COUNTERSUNK HEAD SCREW	1
01-26	TOL60GA-606-050601	GUARD RING	1
01-27	TOL60GA-606-040803	ROUND PAN	1



Model	TOL60GA	Drawing No.	TOL60GA-01
Description	SPIDER ASSY		

TOL60GA-02 GEARBOX ASSY

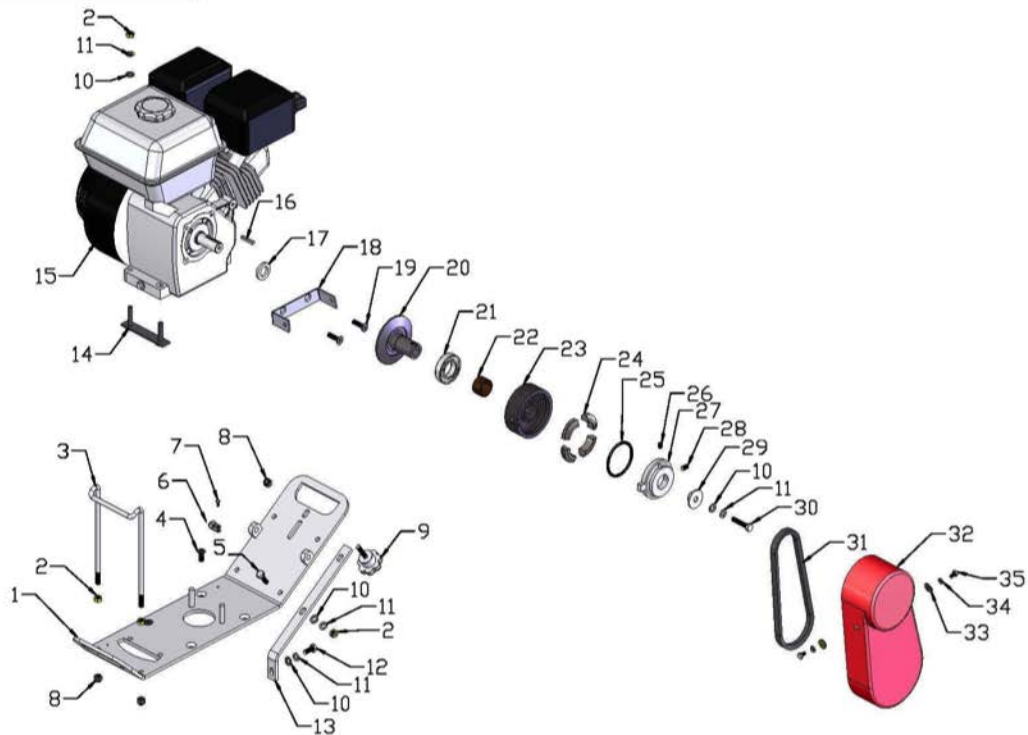
NO.	PART NO.	PART DESCRIPTION	QTY
02-1	TOL60GA-606-040101A	WORM GEAR BOX	1
02-2	TOL60GA-W01-6204-J	BEARING	1
02-3	TOL60GA-606-040106	SEAL, CLOSE COVER	1
02-4	TOL60GA-606-040103	CLOSE COVER	1
02-5	TOL60GA-FN.W6-DIN-1	WASHER	8
02-6	TOL60GA-HSPG.W6-DIN-1	SPRING WASHER,TANG ENDS	8
02-7	TOL60GA-FN.B-M6x20-8.8-DIN-1	BOLT	8
02-8	TOL60GA-606-040203	WORM	1
02-9	TOL60GA-Key.A-5x5x28	KEY	1
02-10	TOL60GA-W01-6205Z-J	BEARING	1
02-11	TOL60GA-CS.RG25	EXTERNAL CIRCLIP	1
02-12	TOL60GA-606-040107	SEAL,SIDE COVER	1
02-13	TOL60GA-606-040104	SIDE COVER	1
02-14	TOL60GA-W03-40x22x7	OIL SEAL	1
02-15	TOL60GA-FHSS.S-M8x12	GRUB SCREW	1
02-16	TOL60GA-70G-040314	PULLEY	1
02-17	TOL60GA-ConeHSS.S-M8x12	SOCKET HEAD SCREW	1
02-18	TOL60GA-HSF.S-M8x20-8.8-DIN-1	SOCKET COUNTERSUNK HEAD SCREW	5
02-19	TOL60GA-606-040108	VENT SCREW	1
02-20	TOL60GA-HSF.S-M8x16-8.8-DIN-1	SOCKET COUNTERSUNK HEAD SCREW	1
02-21	TOL606-040102A	TOP COVER	1
02-22	TOL60GA-606-040105	SEAL, TOP COVER	1
02-23	TOL60GA-W01-30205-J	BEARING	1
02-24	TOL60GA-606-040204	BUSH	1
02-25	TOL60GA-100G-040201	WORM GEAR	1
02-26	TOL60GA-100GB-041000	OIL GAUGE	1
02-27	TOL60GA-ZH-D-M20	WASHER	1
02-28	TOL60GA-606-040202	WORM GEAR SHAFT	1
02-29	TOL60GA-Key.A-8x7x18	KEY	1
02-30	TOL60GA-Key.A-8x7x25	KEY	1
02-31	TOL60GA-W01-6206Z-J	BEARING	1
02-32	TOL60GA-W03-45x30x8	OIL SEAL	1
02-33	TOL60GA-100GB-040111	STOPPER	2
02-34	TOL60GA-606-040304	TILT YOKE	1
02-35	TOL60GA-606-040301	PIN	1
02-36	TOL60GA-CS.RG8	EXTERNAL CIRCLIP	2



Model	TOL60GA	Drawing No.	TOL60GA-02
Description	GEARBOX ASSY		

TOL60GA-03-A ENGINE BASE AND CLUTCH ASSY

NO.	PART NO.	PART DESCRIPTION	QTY.
03-1	TOL60GA-606-010000C	ENGINE BASE	1
03-2	TOL60GA-FN.N-M8-DIN-1	NUT	10
03-3	TOL60GA-606-010201	HOOK	1
03-4	TOL60GA-HSF.S-M8x20-8.8-DIN-1	SOCKET COUNTERSUNK HEAD SCREW	4
03-5	TOL60GA-FN.B-M8x25-8.8-DIN-1	BOLT	4
03-6	TOL60GA-X1-J-10.4	WIRE CLIP	2
03-7	TOL60GA-PAN.S-M4x10	PAN HEAD SCREW	2
03-8	TOL60GA-IN.N-M8-DIN-1	LOCK NUT	3
03-9	TOL60GA-StarH-M8x35	STAR GRIP KNOB	1
03-10	TOL60GA-FN.W8-DIN-1	WASHER	11
03-11	TOL60GA-HSPG.W8-DIN-1	SPRING WASHER,TANG ENDS	11
03-12	TOL60GA-FN.B-M8x20-8.8-DIN-1	BOLT	2
03-13	TOL606-010501	BRACKET	2
03-14	TOL60GA-100G-030400	BOLT	1
03-15	TOL60GA-W05-GX160	ENGINE	1
03-16	TOL60GA-Key.B-5x5x30	KEY	1
03-17	TOL60GA-80-0317	WASHER	1
03-18	TOL60GA-606-040702	BRACKET	1
03-19	TOL60GA-HSF.S-M8x30-8.8-DIN-1	SOCKET COUNTERSUNK HEAD SCREW	2
03-20	TOL60GA-100G-070100	SHAFT	1
03-21	TOL60GA-W01-6006ZZ-J	BEARING	1
03-22	TOL60GA-100G-070500	BUSH	1
03-23	TOL60GA-100G-070200	CLUTCH DRUM	1
03-24	TOL60GA-100G-070400	CLUTCH BLOCK	4
03-25	TOL60GA-100G-070109	SPRING	1
03-26	TOL60GA-ConeHSS.S-M8x12	SOCKET HEAD SCREW	1
03-27	TOL60GA-100G-070300	CLUTCH PLATE	1
03-28	TOL60GA-FHSS.S-M8x12	GRUB SCREW	1
03-29	TOL60GA-100GB-070108	WASHER	1
03-30	TOL60GA-FN.B-M8x40-8.8-DIN-1	BOLT	1
03-31	TOL60GA-W02-A23.5	V BELT	1
03-32	TOL60GA-606-040701	BELT COVER	1
03-33	TOL60GA-WOD.W6-GB-1	WASHER	2
03-34	TOL60GA-HSPG.W6-DIN-1	SPRING WASHER,TANG ENDS	2
03-35	TOL60GA-FN.B-M6x10-8.8-DIN-1	BOLT	2

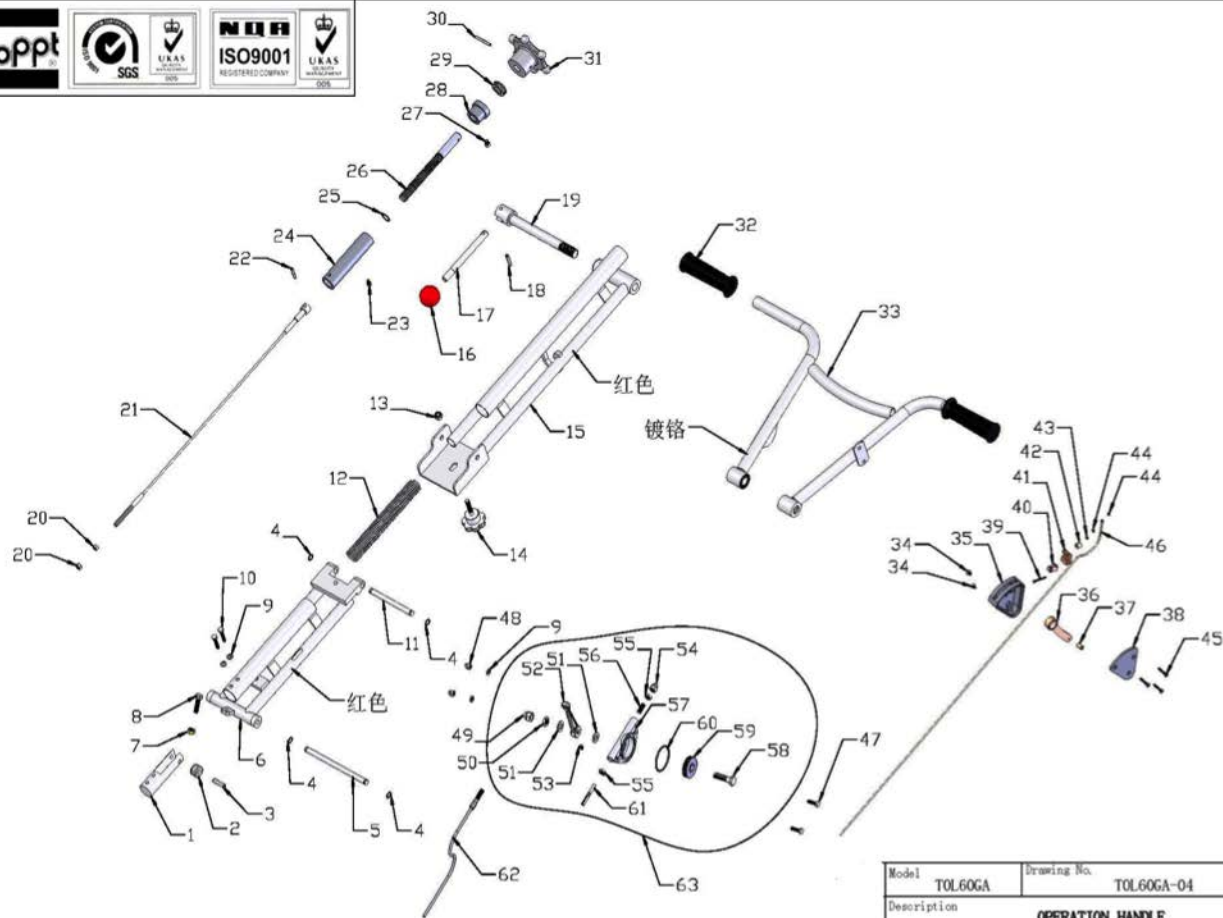


Model	TOL60GA	Drawing No.	TOL60GA-03-A
Description	ENGINE BASE & CLUTCH ASSY		

TOL60GA-04 OPERATION HANDLE ASSY

NO.	PART NO.	PART DESCRIPTION	QTY
04-1	TOL60GA-606-000601	WHEEL BRACKET	1
04-2	TOL60GA-606000501	WHEEL	1
04-3	TOL60GA-SC.PIN-8x28	SPRING PIN	1
04-4	TOL60GA-CS.RG10	EXTERNAL CIRCLIP	4
04-5	TOL60GA-606-020801	PIN	1
04-6	TOL60GA-606-020100P	HANDLE BOTTOM	1
04-7	TOL60GA-FN.N-M8-DIN-1	NUT	1
04-8	TOL60GA-FN.B-M8x30-8.8-DIN-1	BOLT	1
04-9	TOL60GA-HSPG.W6-DIN-1	SPRING WASHER,TANG ENDS	4
04-10	TOL60GA-FN.B-M6x30-8.8-DIN-1	BOLT	2
04-11	TOL60GA-606-021301	PIN	1
		SPRING	
04-12	TOL60GA-606-000006		1
04-13	TOL60GA-IN.N-M8-DIN-1	LOCK NUT	1
04-14	TOL60GA-StarH-M8x40	STAR GRIP KNOB	1
04-15	TOL60GA-606-020200P	HANDLE TOP	1
04-16	TOL60GA-SH.A-M12x40	GRIP BALL	1
04-17	TOL60GA-947-99947	BAR	1
04-18	TOL60GA-SC.PIN-6x30	SPRING PIN	1
04-19	TOL60GA-606-030501	SCREWD-TOMMY BAR	1
04-20	TOL60GA-FN.N-M6-DIN-1	NUT	2
04-21	TOL60GA-606-000010	DEPTH CONTROL CABLE ASSY	1
04-22	TOL60GA-SC.PIN-5x28	SPRING PIN	1
04-23	TOL60GA-HS.B-M5x8-8.8-GB-1	SCREW	1
04-24	TOL60GA-606-000301	SLIDE BUSH	1
04-25	TOL60GA-CS.RG16	EXTERNAL CIRCLIP	1
04-26	TOL60GA-100G-010003	ADJUSTING SCREW	1
04-27	TOL60GA-HS.B-M6x8-8.8-GB-1	SCREW	1
04-28	TOL60GA-606-000701	BEARING COVER	1
04-29	TOL60GA-W01-51103-J	BEARING	1
04-30	TOL60GA-SC.PIN-5x40	SPRING PIN	1
04-31	TOL60GA-100G-010008	PITCH CONTROL KNOB	1
04-32	TOL60GA-100G-010001	HANDLE COVER	2
04-33	TOL60GA-606-030000P	HANDLE	1
04-34	TOL60GA-F.S-M5x10-DIN-1	COUNTERSUNK HEAD SCREW	2
04-35	TOL60GA-100G-010101	CUTOUT SWITCH SHELL	1
04-36	TOL60GA-100G-010103	CUTOUT SWITCH LEVER	1
04-37	TOL60GA-100G-010104	CUTOUT SWITCH BUSH	1
04-38	TOL60GA-100G-010102	CUTOUT COVER	1
04-39	TOL60GA-F.S-M3x30-DIN-1	COUNTERSUNK HEAD SCREW	1
04-40	TOL60GA-100G-010107	CUTOUT SWITCH REED	1
04-41	TOL60GA-100G-010105	CUTOUT SWITCH OUTLET	1
04-42	TOL60GA-100G-010106	CUTOUT SWITCH WASHER	1
04-43	TOL60GA-FN.W3-DIN-2	WASHER	1
04-44	TOL60GA-FN.N-M3-DIN-2	NUT	2
04-45	TOL60GA-F.S-M4x25-DIN-1	COUNTERSUNK HEAD SCREW	3
04-46	TOL60GA-100G-000014	WIRE HARNESS	1
04-47	TOL60GA-FN.B-M6x20-8.8-DIN-2	BOLT	2
04-48	TOL60GA-HC.N-M6-DIN-2	CAP NUT	2
04-49	TOL60GA-HC.N-M10-DIN-2	CAP NUT	1
04-50	TOL60GA-FNL.N-M10-DIN-2	HEXAGON THIN NUT	1
04-51	TOL60GA-FN.W10-DIN-2	WASHER	2
04-52	TOL60GA-70ND-060000	THROTTLE LEVER	1

04-53	TOL60GA-FHSS.S-M6x8-GB-3	SOCKET SCREW WITH FLAT HEAD	1
04-54	TOL60GA-HC.N-M8-DIN-2	CAP NUT	1
04-55	TOL60GA-FNL.N-M8-DIN-2	HEXAGON THIN NUT	2
04-56	TOL60GA-FHSS.S-M8x20-GB-3	SOCKET SCREW WITH FLAT HEAD	1
04-57	TOL60GA-70ND-060001	THROTTLE BODY	1
04-58	TOL60GA-70ND-060003	BOLT	1
04-59	TOL60GA-70ND-060002	THROTTLE GEAR	1
04-60	TOL60GA-W04-45x3	O-RING	1
04-61	TOL60GA-70ND-060004	SLIDER	1
04-62	TOL60GA-W06-S04-L1100x1300	THROTTLE CABLE	1
04-63	TOL60GA-70ND-010018	THROTTLE LEVER ASSY	1



Model	TOL60GA	Drawing No.	TOL60GA-04
Description	OPERATION HANDLE		