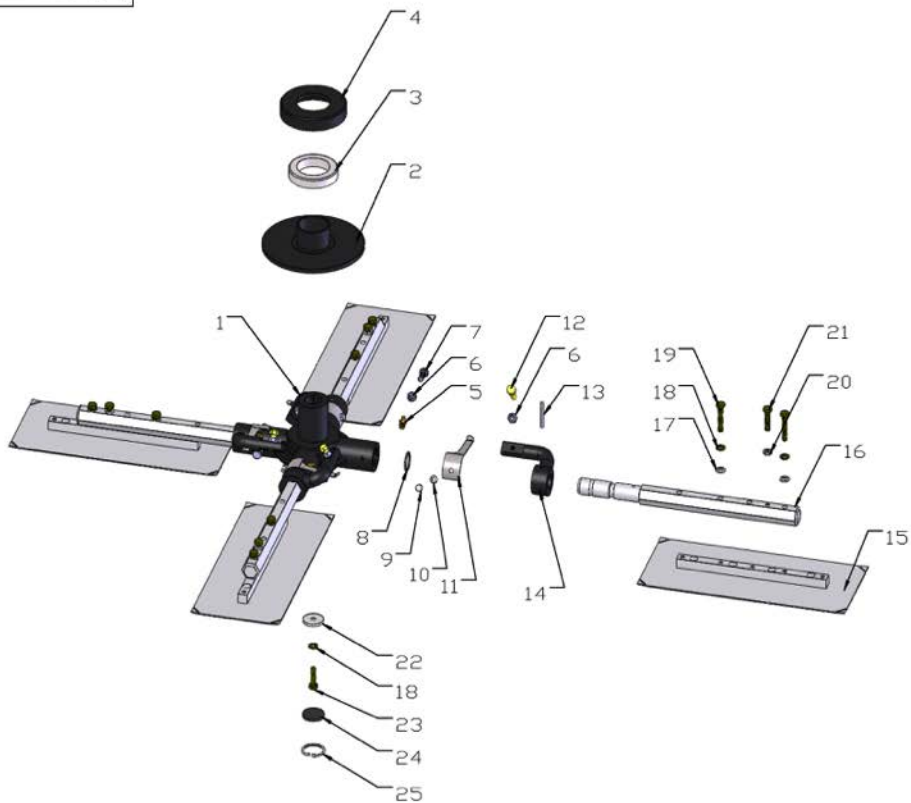


TOL100GBA-01 SPIDER ASSY

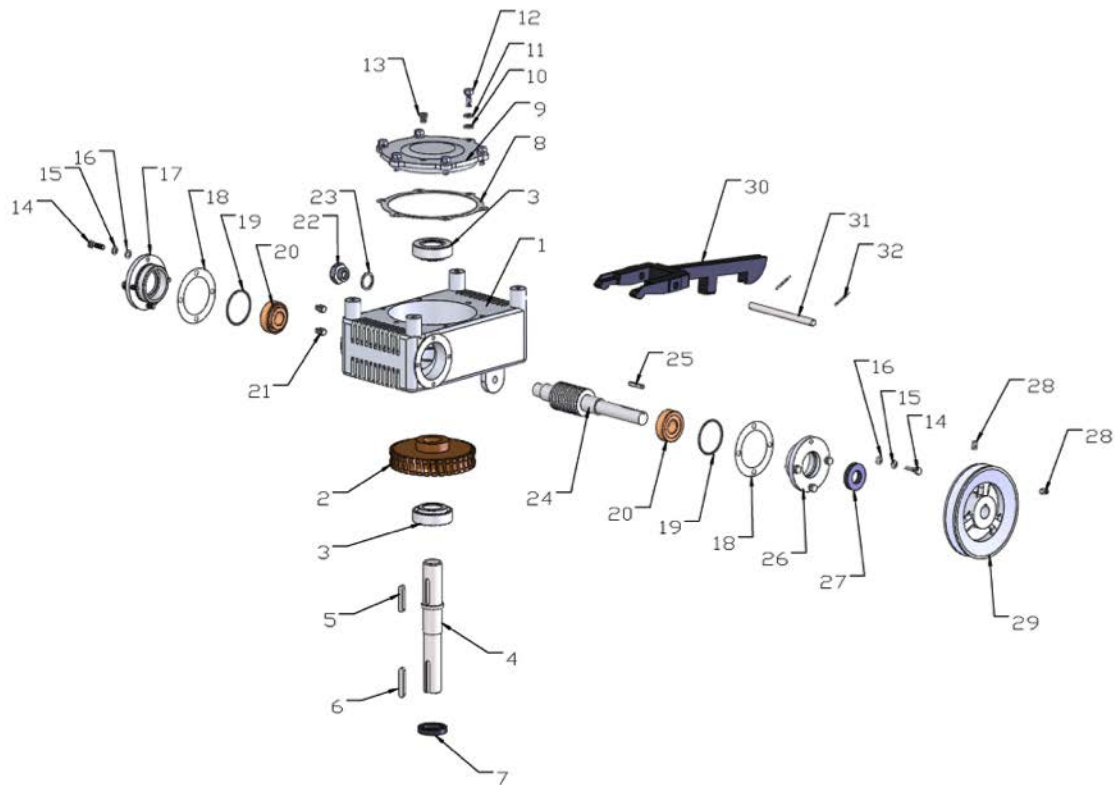
NO.	PART NO.	PART DESCRIPTION	QTY
01-1	TOL100GBA-100G-040301	SPIDER	1
01-2	TOL100GBA-100G-040303	TILT PLATE	1
01-3	TOL100GBA-W01-NIS-55TNK29	BEARING	1
01-4	TOL100GBA-100G-040302	BEARING HOUSING	1
01-5	TOL100GBA-TOL-T-001	GREASE NIPPLE	4
01-6	TOL100GBA-FN.N-M8-DIN-1	NUT	8
01-7	TOL100GBA-FN.B-M8x20-8.8-DIN-1	BOLT	4
01-8	TOL100GBA-W04-25x3	O RING	4
01-9	TOL100GBA-FN.B-M6x10-8.8-DIN-1	BOLT	4
01-10	TOL100GBA-HSPG.W6-DIN-1	SPRING WASHER,TANG ENDS	4
01-11	TOL100GBA-100G-060300	SPRING SLICE	4
01-12	TOL100GBA-SHH.B-M8x25	BOLT	4
01-13	TOL100GBA-SC.PIN-5x46-GB-3	SPRING PIN	4
01-14	TOL100GBA-100G-060200	TILT ARM	4
01-15	TOL100GBA-100G-050000	BLADE	4
01-16	TOL100GBA-060100A	SPIDER ARM	4
01-17	TOL100GBA-FN.W8-DIN-1	WASHER	5
01-18	TOL100GBA-HSPG.W8-DIN-1	SPRING WASHER,TANG ENDS	6
01-19	TOL100GBA-FN.B-M8x45-8.8-DIN-1	BOLT	5
01-20	TOL100GBA-FNL.N-M8-DIN-1	THIN NUT	4
01-21	TOL100GBA-FN.B-M8x35-8.8-DIN-1	BOLT	4
01-22	TOL100GBA-80-0402	WASHER	1
01-23	TOL100GBA-FN.B-M8x30-8.8-DIN-1	BOLT	1
01-24	TOL100GBA-100G-040305	RUBBER WASHER	1
01-25	TOL100GBA-CH.RG36	INTERNAL CIRCLIP	1



Model TOL100 GBA(40°)	Drawing No. TOL100GBA-01
Description	SPIDER ASSY

TOL100GBA-02A (GX160) GEARBOX ASSY

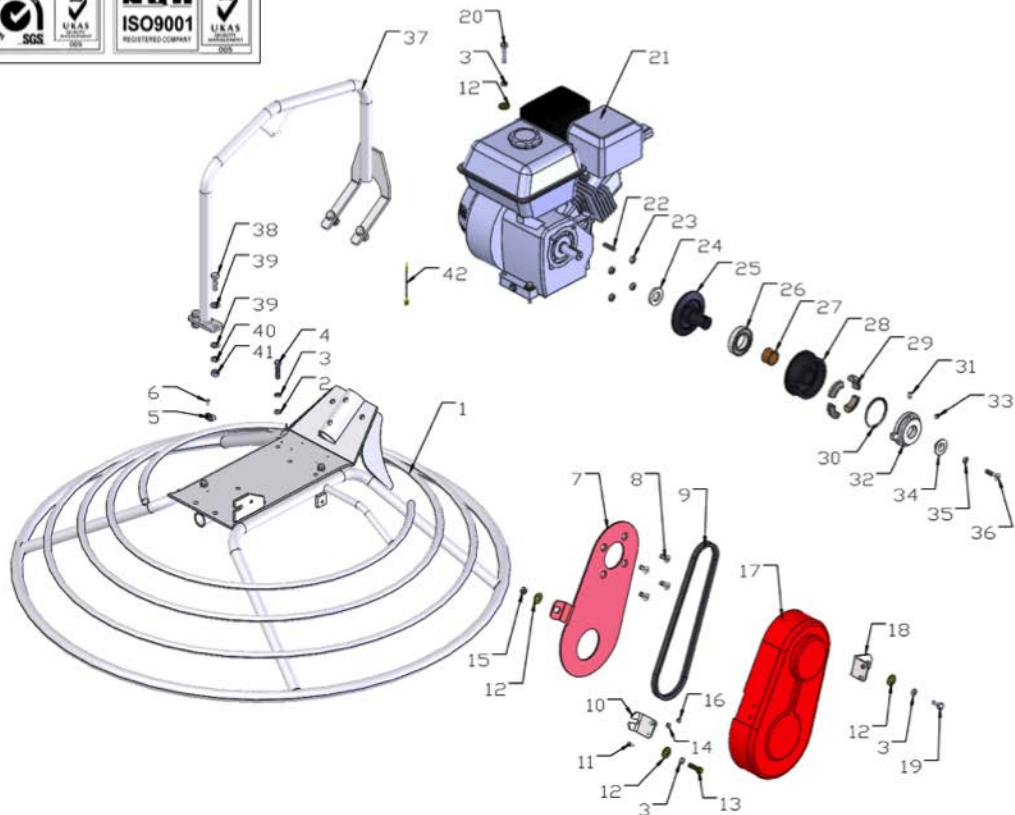
NO.	PART NO.	PART DESCRIPTION	QTY
02-1	TOL100GBA-947-040001	WORM GEAR BOX	1
02-2	TOL100GBA-947-040107-1200	WORM GEAR	1
02-3	TOL100GBA-W01-32206-J	BEARING	2
02-4	TOL100GBA-947-040115	WORM GEAR SHAFT	1
02-5	TOL100GBA-Key.A-8x7x40	KEY	1
02-6	TOL100GBA-Key.A-8x7x45	KEY	1
02-7	TOL100GBA-W03-45x30x8	OIL SEAL	1
02-8	TOL100GBA-100GB-040402	SEAL, TOP COVER	1
02-9	TOL100GBA-100GB-040110	TOP COVER	1
02-10	TOL100GBA-FN.W8-DIN-1	WASHER	6
02-11	TOL100GBA-HSPG.W8-DIN-1	SPRING WASHER, TANG ENDS	6
02-12	TOL100GBA-FN.B-M8x20-8.8-DIN-1	BOLT	6
02-13	TOL100GBA-100G-000004	VENT SCREW	1
02-14	TOL100GBA-FN.B-M6x25-8.8-DIN-1	BOLT	8
02-15	TOL100GBA-HSPG.W6-DIN-1	SPRING WASHER, TANG ENDS	8
02-16	TOL100GBA-FN.W6-DIN-1	WASHER	8
02-17	TOL100GBA-100GB-040302	CLOSE COVER	1
02-18	TOL100GBA-100GB-040401	SEAL, SIDE COVER	2
02-19	TOL100GBA-W04-47.7x2.65	O RING	2
02-20	TOL100GBA-W01-32204-J	BEARING	2
02-21	TOL100GBA-100GB-040111	STOPPER	2
02-22	TOL100GBA-100GB-041000	OIL GAUGE	1
02-23	TOL100GBA-ZH-D-M20	WASHER	1
02-24	TOL100GBA-120GB-040308	WORM	1
02-25	TOL100GBA-Key.A-5x5x36	KEY	1
02-26	TOL100GBA-100GB-040310	SIDE COVER	1
02-27	TOL100GBA-W03-40x20x8	OIL SEAL	1
02-28	TOL100GBA-FHSS.S-M8x12-GB-3	GRUB SCREW	2
02-29	TOL100GBA-100GB-040314	PULLEY	1
02-30	TOL100GBA-100G-060400	TILT YOKE	1
02-31	TOL100GBA-100G-060500	SHAFT	1
02-32	TOL100GBA-SP.PIN-2x26-GB-2	SPLIT PIN	2



Model TOL100GBA(407)	Drawing No. TOL100 GBA-02 (GX160)
Description GEARBOX ASSY	

TOL100GBA-03A (GX160) ENGINE BASE AND CLUTCH ASSY

NO.	PART NO.	PART DESCRIPTION	QTY
03-1	TOL100GBA-020000	GUARD RING	1
03-2	TOL100GBA-FN.W8-DIN-1	WASHER	4
03-3	TOL100GBA-HSPG.W8-DIN-1	SPRING WASHER	10
03-4	TOL100GBA-FN.B-M8x35-8.8-DIN-1	BOLT	4
03-5	TOL100GBA-X1-J-10.4	CABLE CLAMP	1
03-6	TOL100GBA-PAN.S-M4x10	PAN HEAD SCREW	1
03-7	TOL100GBA-90GB-030400	BACK PLATE	1
03-8	TOL100GBA-HSF.S-M8x20-DIN-1	SOCKET COUNTERSUNK HEAD SCREW	4
03-9	TOL100GBA-W02-A29	V-BELT	1
03-10	TOL100GBA-100G-030200	BRACKET 1	1
03-11	TOL100GBA-FN.B-M5X12-8.8-DIN-1	BOLT	4
03-12	TOL100GBA-WOD.W8-DIN-1	WASHER	7
03-13	TOL100GBA-FN.B-M8x30-8.8-DIN-1	BOLT	1
03-14	TOL100GBA-FN.W5	WASHER	4
03-15	TOL100GBA-FN.N-M8	NUT	1
03-16	TOL100GBA-947-000017	LOCK NUT	4
03-17	TOL100GBA-100G-030100	BELT GUARD	1
03-18	TOL100GBA-100G-030300	BRACKET 2	1
03-19	TOL100GBA-FN.B-M8x20-8.8	BOLT	1
03-20	TOL100GBA-FN.B-M8x40-8.8	BOLT	4
03-21	TOL100GBA-W05-GX160H1-SX	ENGINE	1
03-22	TOL100GBA-Key.B-5x5x32	KEY	1
03-23	TOL100GBA-90GB-030500	BUSH	4
03-24	TOL100GBA-276-030400	BUSH, PTO	1
03-25	TOL100GBA-100GB-070101	SHAFT	1
03-26	TOL100GBA-W01-6007ZZ-J	BEARING	1
03-27	TOL100GBA-100G-070500	BUSH	1
03-28	TOL100GBA-100GB-070105	CLUTCH DRUM	1
03-29	TOL100GBA-100G-070400	CLUTCH BLOCK	4
03-30	TOL100GBA-100G-070109	SPRING	1
03-31	TOL100GBA-FHSS.S-M8x12-GB-3	GRUB SCREW	1
03-32	TOL100GBA-100G-070300	CLUTCH PLATE	1
03-33	TOL100GBA-ConeHSS.S-M8x12-GB-3	SOCKET HEAD SCREW	1
03-34	TOL100GBA-90GB-030600	END CAP	1
03-35	TOL100GBA-CETL.W8	COUNTERSUNK EXTERNAL TOOTHED LOCK WASHER	1
03-36	TOL100GBA-HSF.S-M8x35-DIN-1	SOCKET COUNTERSUNK HEAD SCREW	1
03-37	TOL100GBA-90GB-030200	LIFTING HANDLE	1
03-38	TOL100GBA-FN.B-M10x30-8.8-DIN-1	BOLT	4
03-39	TOL100GBA-FN.W10-DIN-1	WASHER	8
03-40	TOL100GBA-HSPG.W10-DIN-1	SPRING WASHER	4
03-41	TOL100GBA-FN.N-M10	NUT	4
03-42	TOL100GBA-90GB-000015	WIRE	1

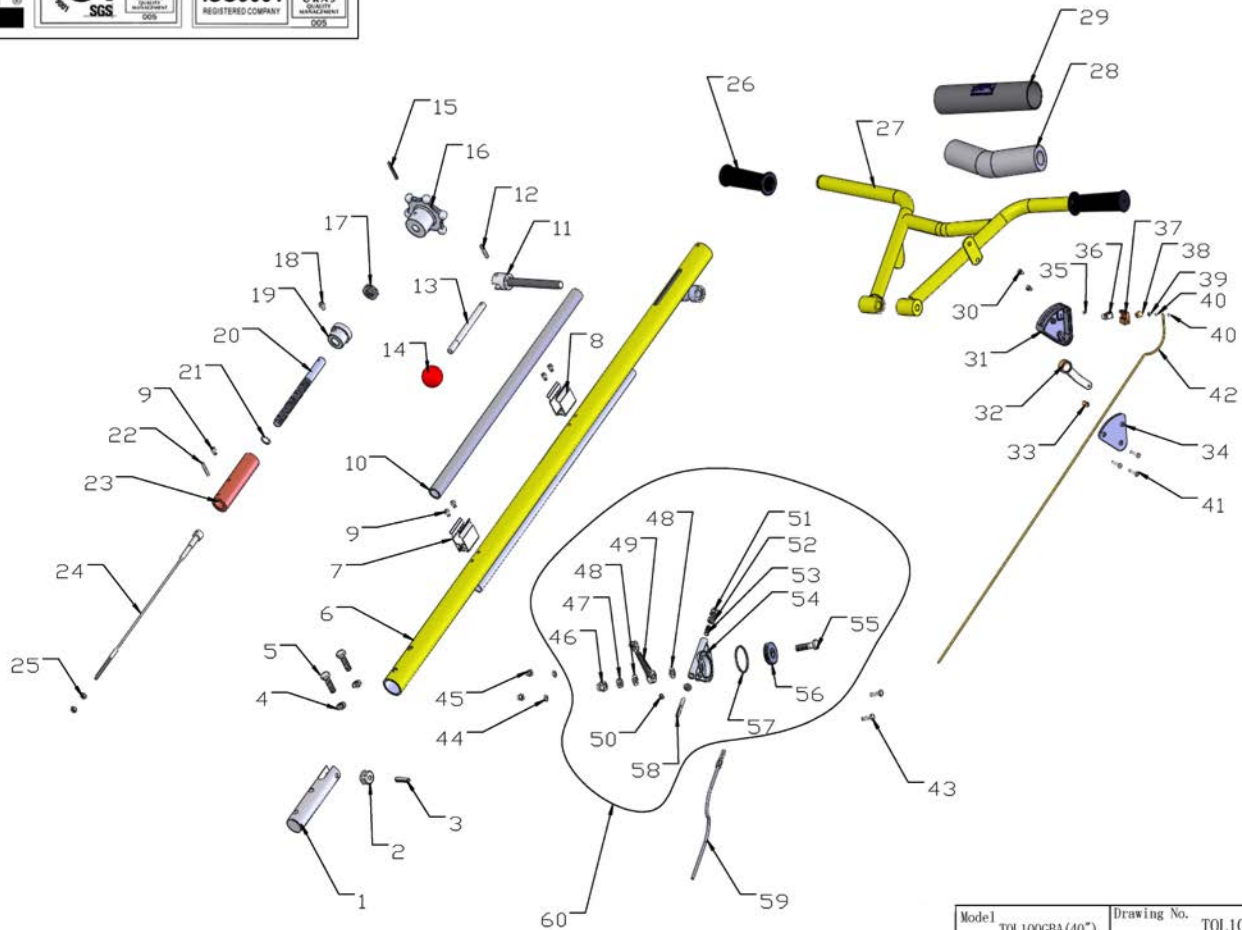


Model	TOL100GBA	Drawing No.	TOL100 GBA-03 (GX160)
Description	ENGINE BASE AND CLUTCH ASSY		

TOL100GBA-04 OPERATION HANDLE ASSY

NO.	PART NO.	PART DESCRIPTION	QTY
04-1	TOL100GBA-100G-010005	WHEEL BLOCK	1
04-2	TOL100GBA-100G-010004	WHEEL	1
04-3	TOL100GBA-SC.PIN-8x32	SPRING PIN	1
04-4	TOL100GBA-HSPG.W10-DIN-1	SPRING WASHER,TANG ENDS	2
04-5	TOL100GBA-FN.B-M10x35-8.8-DIN-1	BOLT	2
04-6	TOL100GBA-120GB-090100P	HANDLE BOTTOM	1
04-7	TOL100GBA-100GBII-000003	SPRING CLIP 2	1
04-8	TOL100GBA-100GBII-000001	SPRING CLIP 1	1
04-9	TOL100GBA-HS.B-M5x8-8.8-GB-1	SCREW	5
04-10	TOL100GBA-100GBII-000002	LIFTING TUBE	1
04-11	TOL100GBA-947-06606	SCREWD-TOMMY BAR	1
04-12	TOL100GBA-SC.PIN-6x30	SPRING PIN	1
04-13	TOL100GBA-947-99947	BAR	1
04-14	TOL100GBA-SH.A-M12x40	GRIP BALL	1
04-15	TOL100GBA-SC.PIN-5x40	SPRING PIN	1
04-16	TOL100GBA-100G-010008	PITCH CONTROL KNOB	1
04-17	TOL100GBA-W01-51103-J	BEARING	1
04-18	TOL100GBA-HS.B-M6x8-8.8-GB-1	SCREW	1
04-19	TOL100GBA-100G-010006	BEARING COVER	1
04-20	TOL100GBA-100G-010003	ADJUSTING SCREW	1
04-21	TOL100GBA-CS.RG16	EXTERNAL CIRCLIP	1
04-22	TOL100GBA-SC.PIN-5x30	SPRING PIN	1
04-23	TOL100GBA-100G-010002	SLIDE BUSH	1
04-24	TOL100GBA-120GB-000010	DEPTH CONTROL CABLE ASSY	1
04-25	TOL100GBA-FN.N-M6-DIN-1	NUT	2
04-26	TOL100GBA-100G-010001	HANDLE COVER	2
04-27	TOL100GBA-120GB-090200F	HANDLEBAR	1
04-28	TOL100GBA-947-99998	HANDLE FOAM	1
04-29	TOL100GBA-120GB-000003	HANDLE FABRIC	1
04-30	TOL100GBA-F.S-M5x10	COUNTERSUNK HEAD SCREW	2
04-31	TOL100GBA-100G-010101	CUTOUT SWITCH SHELL	1
04-32	TOL100GBA-100G-010103	CUTOUT SWITCH LEVER	1
04-33	TOL100GBA-100G-010104	CUTOUT SWITCH BUSH	1
04-34	TOL100GBA-100G-010102	CUTOUT COVER	1
04-35	TOL100GBA-F.S-M3x30-DIN-1	COUNTERSUNK HEAD SCREW	1
04-36	TOL100GBA-100G-010107	CUTOUT SWITCH REED	1
04-37	TOL100GBA-100G-010105	CUTOUT SWITCH OUTLET	1
04-38	TOL100GBA-100G-010106	CUTOUT SWITCH WASHER	1
04-39	TOL100GBA-FN.W3-DIN-2	WASHER	1
04-40	TOL100GBA-FN.N-M3-DIN-2	NUT	2
04-41	TOL100GBA-F.S-M4x25-DIN-1	COUNTERSUNK HEAD SCREW	3
04-42	TOL100GBA-100G-000014	WIRE HARNESS	1
04-43	TOL100GBA-FN.B-M6x20-8.8-DIN-2	BOLT	2

04-44	TOL100GBA-HSPG.W6-DIN-1	SPRING WASHER,TANG ENDS	2
04-45	TOL100GBA-HC.N-M6-DIN-2	CAP NUT	2
04-46	TOL100GBA-HC.N-M10-DIN-2	CAP NUT	1
04-47	TOL100GBA-FNL.N-M10-DIN-2	HEXAGON THIN NUT	1
04-48	TOL100GBA-FN.W10-DIN-2	WASHER	2
04-49	TOL100GBA-70ND-060000	THROTTLE LEVER	1
04-50	TOL100GBA-FHSS.S-M6x8-GB-3	SOCKET SCREW WITH FLAT HEAD	1
04-51	TOL100GBA-HC.N-M8-DIN-2	CAP NUT	1
04-52	TOL100GBA-FNL.N-M8-DIN-2	HEXAGON THIN NUT	2
04-53	TOL100GBA-FHSS.S-M8x20-GB-3	SOCKET SCREW WITH FLAT HEAD	1
04-54	TOL100GBA-70ND-060001	THROTTLE BODY	1
04-55	TOL100GBA-70ND-060003	BOLT	1
04-56	TOL100GBA-70ND-060002	THROTTLE GEAR	1
04-57	TOL100GBA-W04-45x3	O-RING	1
04-58	TOL100GBA-70ND-060004	SLIDER	1
04-59	TOL100GBA-W06-S04-L1420x1620	THROTTLE CABLE	1
04-60	TOL100GBA-70ND-010018	THROTTLE LEVER ASSY	1



Model TOL100GBA(40°)	Drawing No. TOL100 GBA-04
Description OPERATION HANDLE ASSY	