
MASTERFINISH



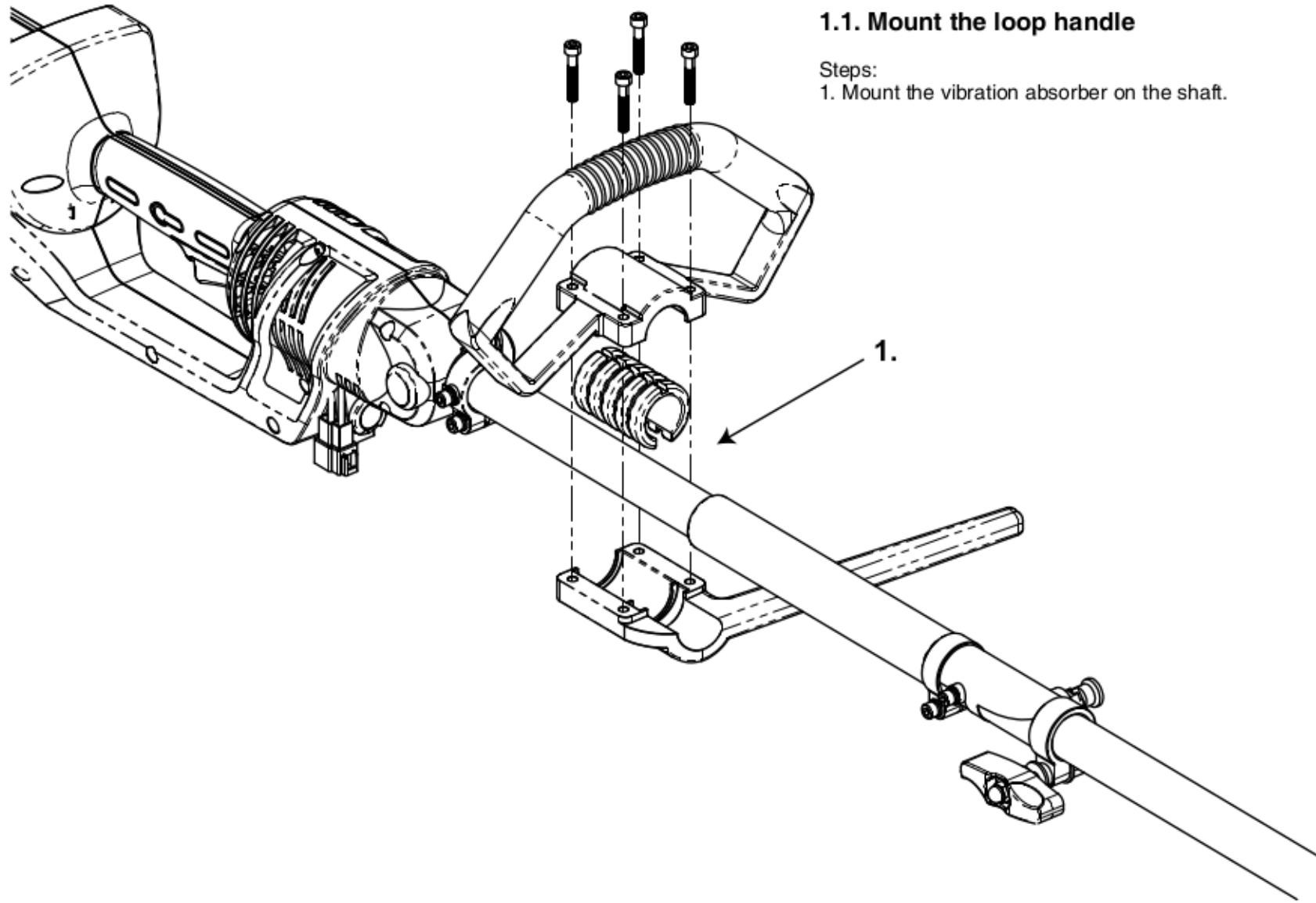
MFHV44B
HANDYVIBE-VOLT

1. Mounting the loop / bike handle, each tool and shoulder belt

1.1. Mount the loop handle

Steps:

1. Mount the vibration absorber on the shaft.

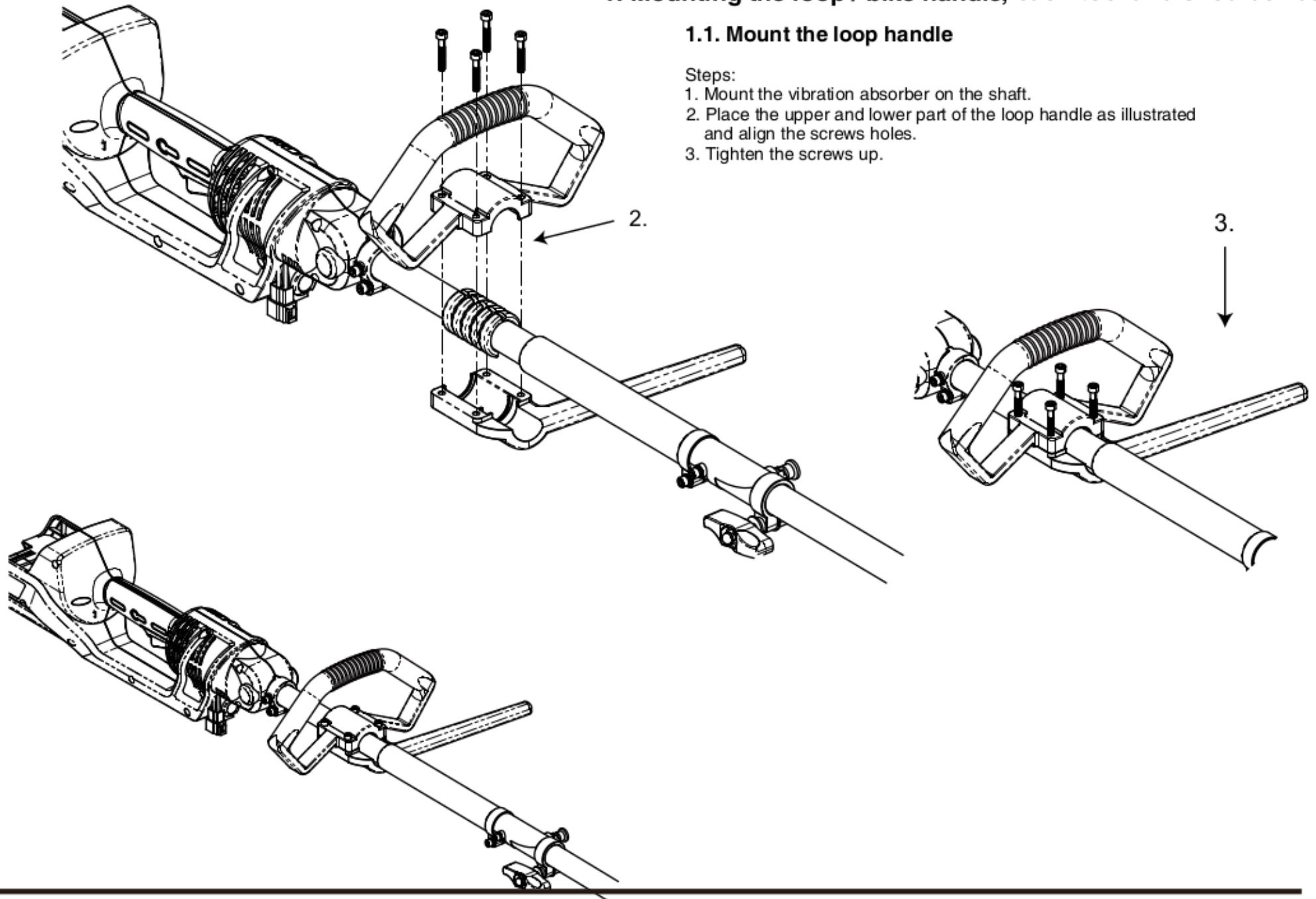


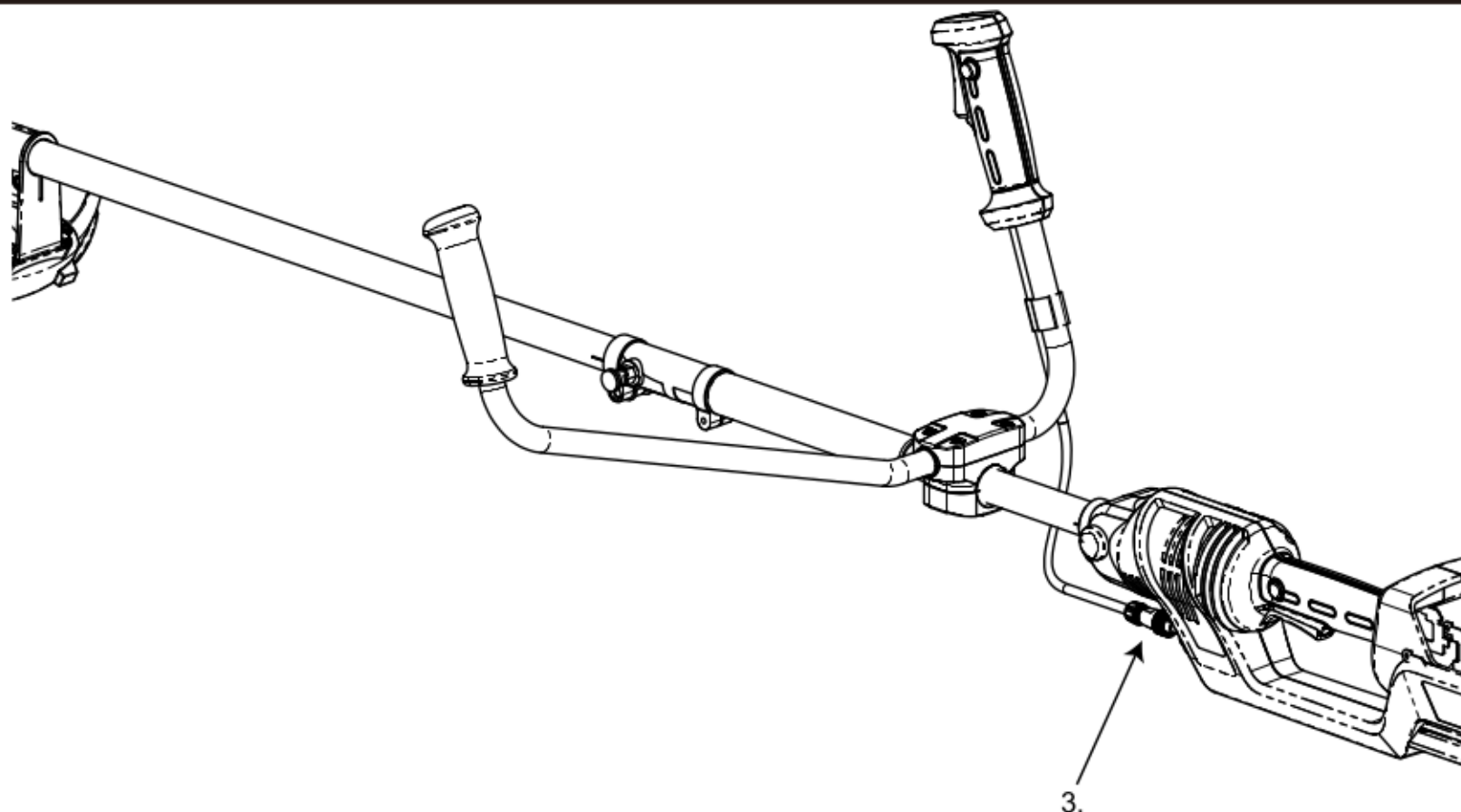
1. Mounting the loop / bike handle, each tool and shoulder belt

1.1. Mount the loop handle

Steps:

1. Mount the vibration absorber on the shaft.
2. Place the upper and lower part of the loop handle as illustrated and align the screws holes.
3. Tighten the screws up.



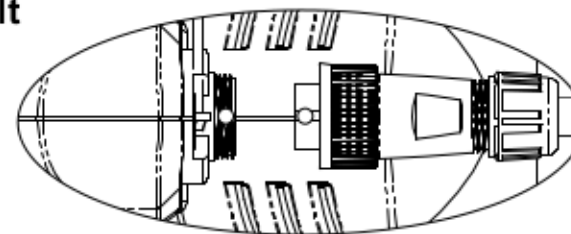


1. Mounting the loop / bike handle, tool head and shoulder belt

1.2. Mount the bike handle

Steps:

1. Insert both handle tube into the handle holder, place and fasten the 4 screws as illustrated so that the handle is firmly secured.
2. Place the vibration absorber pads and lower part of the handle holder on the shaft as illustrated. Insert another 2 screws and tighten them up.
3. Align the white markers on the circular connector and the machine, insert the connector and screw it in.



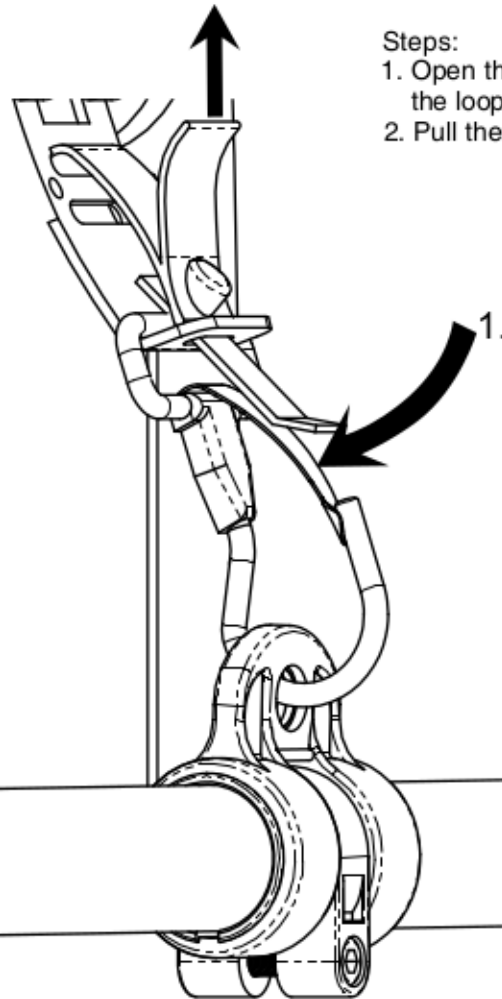
1. Mounting the loop / bike handle, each tool and shoulder belt

2.

1.4. Mount / dismount shoulder belt

Steps:

1. Open the hook by pressing inwards as illustrated and put it through the loop.
2. Pull the red strap in illustrated direction for quick dismounting the belt.

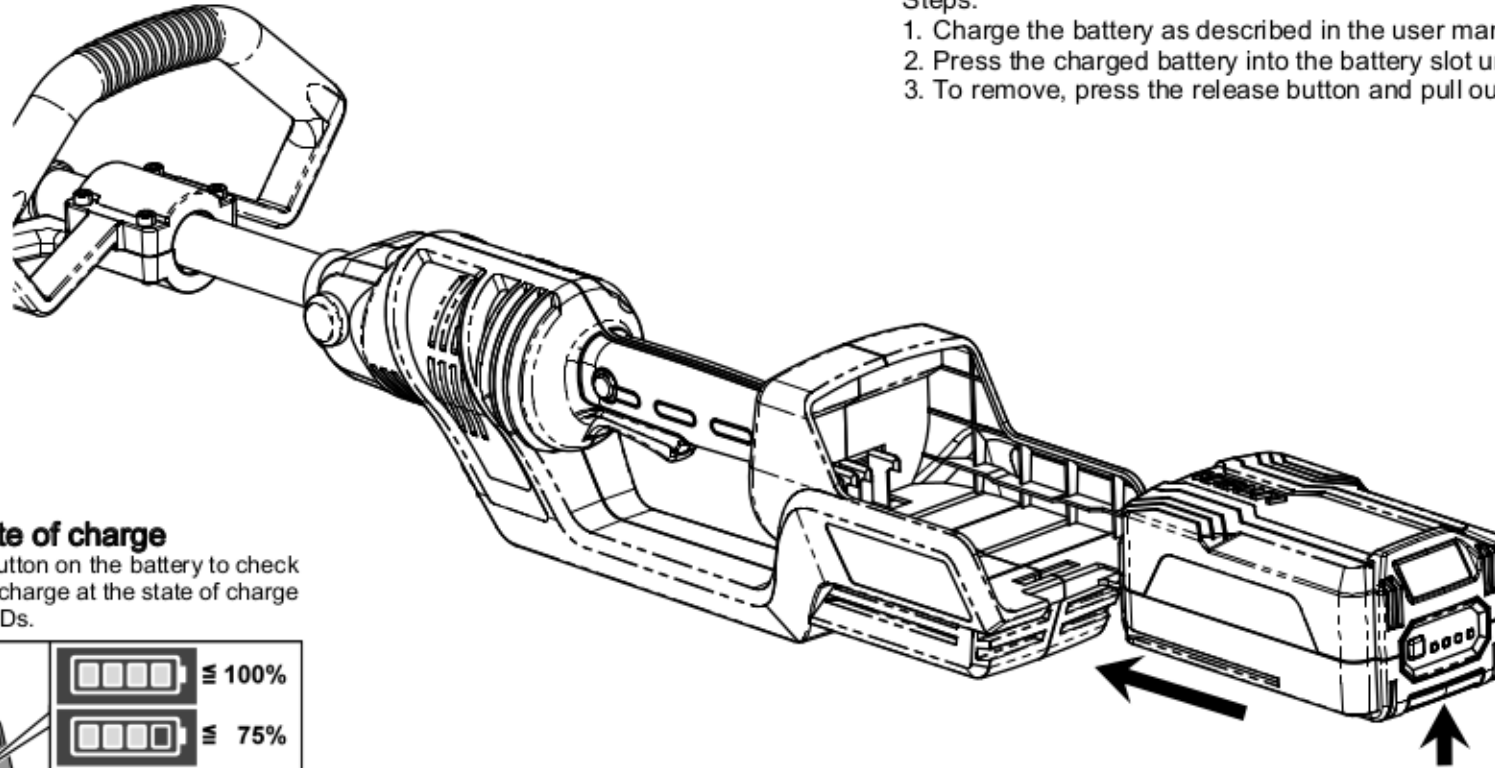


1.

2. Install battery and check battery charge status.

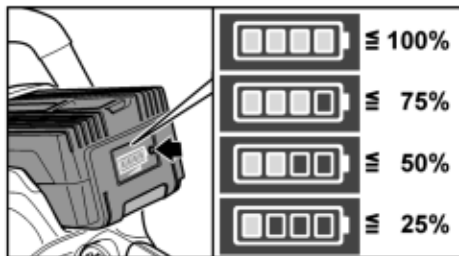
Steps:

1. Charge the battery as described in the user manual of the charger.
2. Press the charged battery into the battery slot until it clicks into place.
3. To remove, press the release button and pull out the battery.



Battery state of charge

- Press the button on the battery to check the state of charge at the state of charge indicator LEDs.

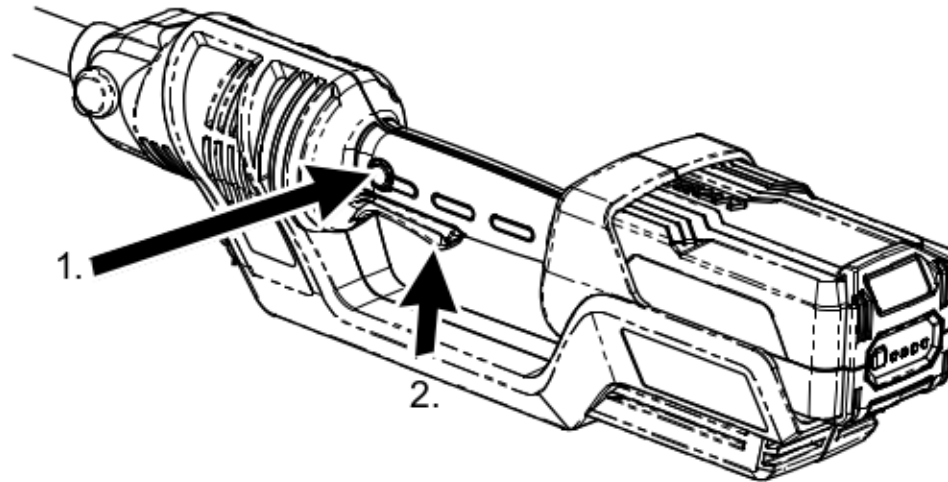


The indicator goes out after 5 seconds.
If one of the LEDs flashes, the battery must be recharged. If none of the LEDs light up after the button is pressed, the battery is faulty and must be replaced.

3. Switch the multi tool on/off

Steps:

1. Press the switch interlock and hold it down.
2. Press the rear On/Off switch.
3. To remove, press the release button and pull out the battery.



Handyvibe Assembly Instructions

After unpacking your Handyvibe from its carton, some minor assembly is required.
The flexible shaft and barrel need to be attached to the motor shaft section.

Before attaching the barrel you must apply the thread lock supplied with your machine, as demonstrated in the image below

Note: All threads on the coupling and shaft assembly are **left hand**

