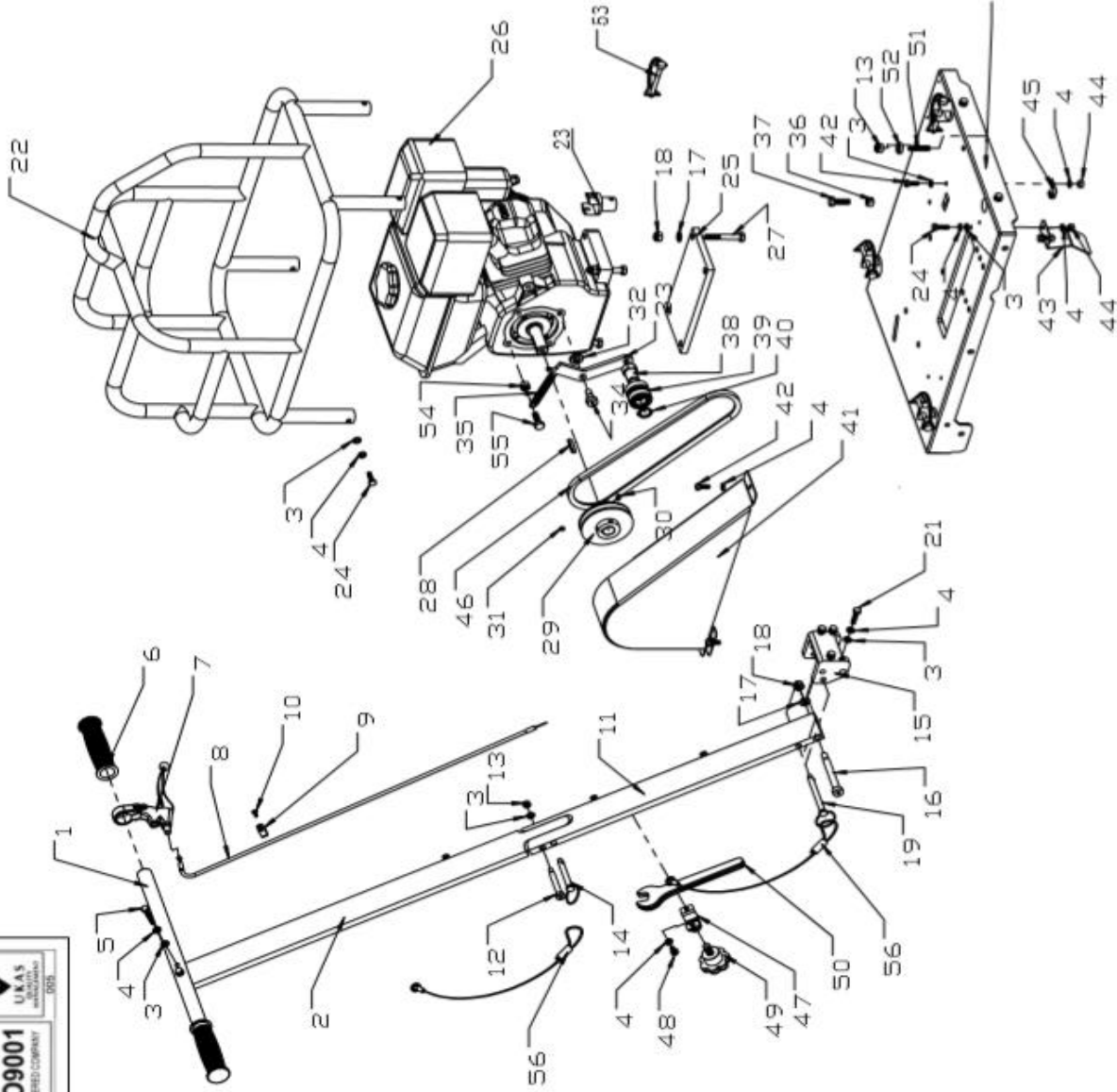


HSCC6A1:D37.0-01-D HANDLE & MAIN FRAME ASSY.

NO.	PART NO.	PART DESCRIPTION	QTY
1	HSCC6.0-010100	HANDLE BAR	1
2	HSCC6.0-010200	UPPER HANDLE	1
3	HSCC6.0-SUSFN.W6	WASHER	14
4	HSCC6.0-SUSHSPG.W6	SPRING WASHER	20
5	HSCC6.0-SUSFN.B-M6x35	SCREW	2
6	HSCC6.0-HTL350-000003	HANDLE COVER	2
7	HSCC6.0-010900	LEVER HANDLE	1
8	HSCC6.0-011000	CABLE	1
9	HSCC6.0-H3001285B	CABLE CLAMP	4
10	HSCC6.0-PAN.S-M4x10-GB-2	PAN HEAD SCREW	4
11	HSCC6.0-010300	LOWER HANDLE	1
12	HSCC6.0-010500	PLUG SCREW (M6x50)	1
13	HSCC6.0-SUSIN.N-M6	LOCK NUT (M6)	1
14	HSCC6.0-010400	LOCK PIN	1
15	HSCC6.0-010800	HANDLE BASE	1
16	HSCC6.0-010600	PLUG SCREW (M8x70)	1
17	HSCC6.0-SUSFN.W8	WASHER (M8)	5
18	HSCC6.0-SUSIN.N-M8	LOCK NUT (M8)	6
19	HSCC6.0-010700	LOCK PIN	1
20	HSCC6.0-021200	BASE PLATE	1
21	HSCC6.0-SUSFN.B-M6x25	SCREW (M6*25)	4
22	HSCC6.0-020100	Protective cover	1
23	HSCC6.0-021101	NUT	4
24	HSCC6.0-SUSFN.B-M6x20	SCREW M6*20)	6
25	HSCC6.0-020200		1
26	HSCC6.0-W05-GX120	ENGINE	1
27	HSCC6.0-SUSFN.B-M8x55-HALF	SCREW (M8*55)	4
28	HSCC6.0-Key.A-4.75x4.75x30	KEY	1
29	HSCC6.0-020400H	PULLEY	1
30	HSCC6.0-FHSS.S-M6x8-GB-3	SOCKET SCREW WITH FLAT HEAD	2
31	HSCC6.0-FHSS.S-M6x6-GB-3	SOCKET HEAD SCREW	1
32	HSCC6.0-020700	WASHER	1
33	HSCC6.0-020600	TENSION ARM	1
34	HSCC6.0-TOL90GB-010700	PLUG SCREW (M8x10)	1
35	HSCC6.0-HTL350-021200	SPRING	1
36	HSCC6.0-SUSFN.N-M8	NUT (M8)	2
37	HSCC6.0-SUSFN.B-M8x25	SCREW (M8*25)	2
38	HSCC6.0-020800	PIN	1
39	HSCC6.0-W01-6003ZZ-G	BEARING	2
40	HSCC6.0-CS.RG17	EXTERNAL CIRCLIP	1
41	HSCC6.0-020300	BELT GUARD	1
42	HSCC6.0-SUSFN.B-M6x16	SCREW M6*16)	4
43	HSCC6.0-021000	SHEAVE GUARD	1
44	HSCC6.0-SUSFN.N-M6	NUT(M6)	3
45	HSCC6.0-030900	CLIP	1

HSCC6A1:D37.0-01-D HANDLE & MAIN FRAME ASSY.

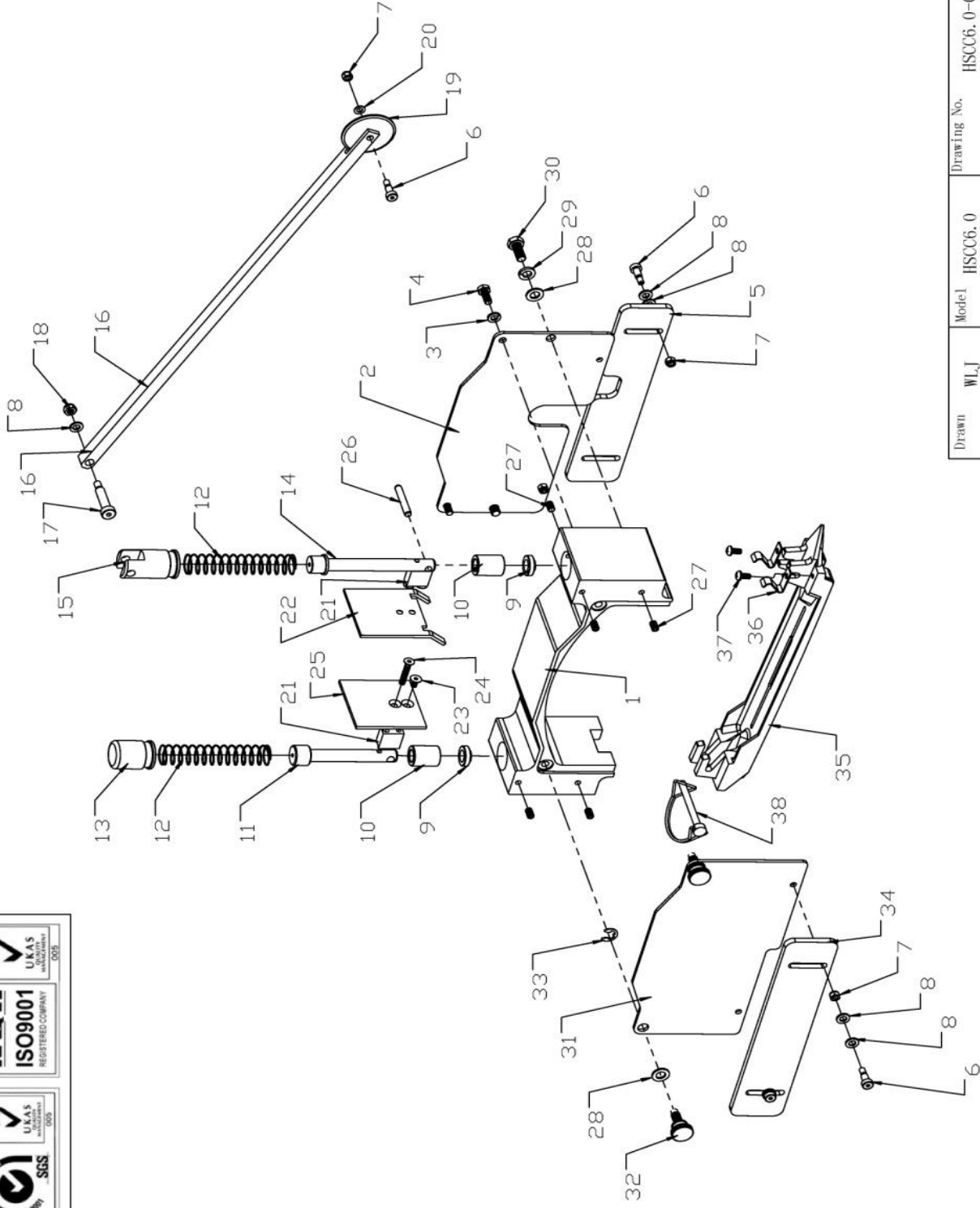
NO.	PART NO.	PART DESCRIPTION	QTY
46	HSCC6.0-W02-3VX280	BELT	1
47	HSCC6.0-011200	FIXED BASE	1
48	HSCC6.0-SUSFN.B-M6x10	SCREW (M6*10)	2
49	HSCC6.0-StarH-M10x20	KNOB,AIR CLEANER	1
50	HSCC6.0-011300	SPANNER	2
51	HSCC6.0-030803	screw(M8)	1
52	HSCC6.0-SUSHSPG.W8	SPRING WASHER(M8)	1
53	HSCC6.0-041600	"D" LOCK PIN	4
54	HSCC6.0-SUSFN.N-5/16-24UNF	NUT	1
55	HSCC6.0-SUSFN.B-5/16-24UNFx1	SCREW	2
56	HSCC6.0-012100	LOCK PIN PORE	2



Drawn	WLJ	Model	HSCC6.0	Drawing No.	HSCC6.0-01-D
Checked		Description	HANDLE&MAIN FRAME ASSEMBLY		
Approved		Date	2016.07.08		

HSCC6.0-02 BLADE BLOCK ASSEMBLY

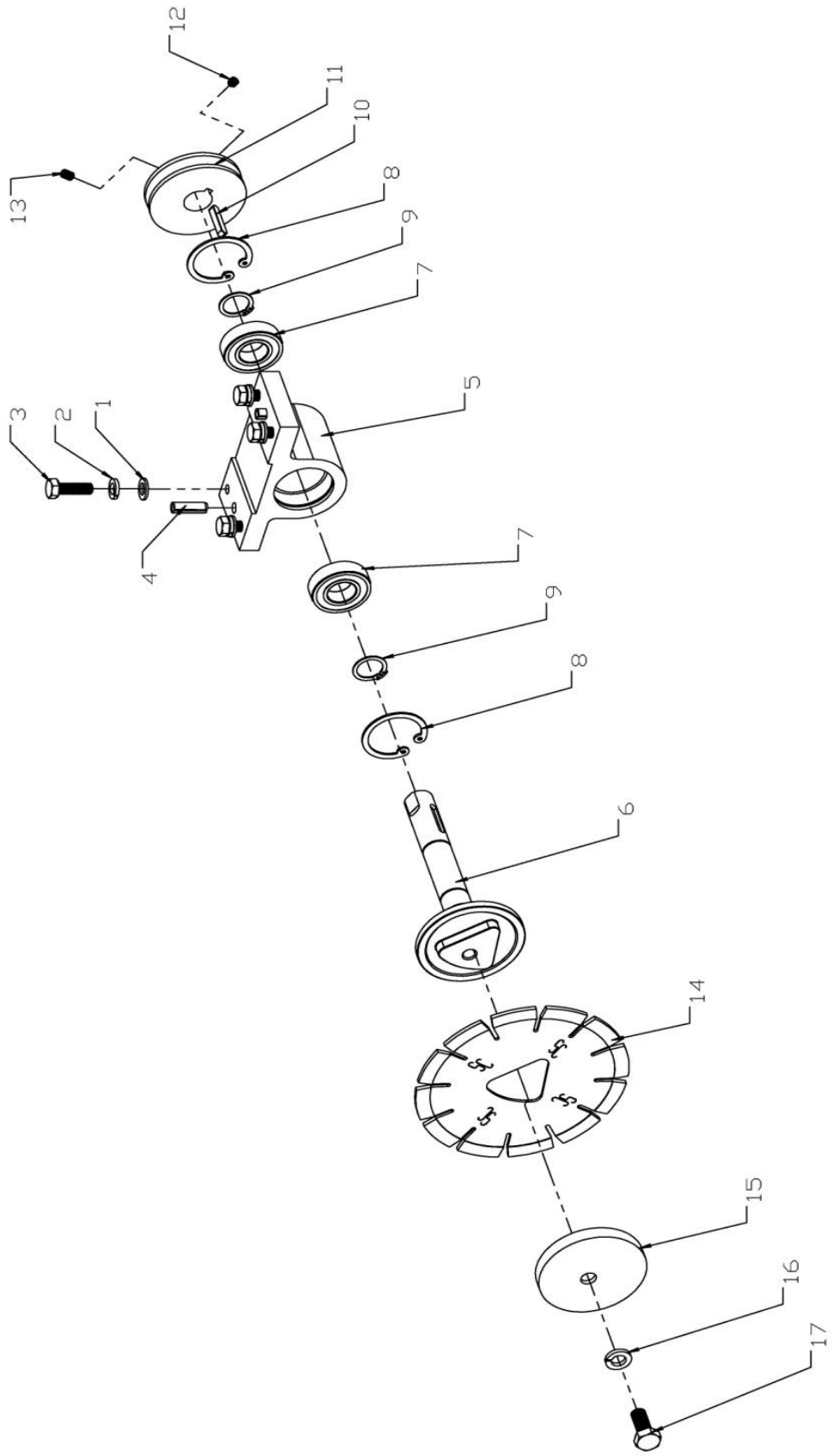
NO.	PART NO.	PART DESCRIPTION	QTY
1	HSCC6.0-040400	HOUSING	1
2	HSCC6.0-040500	REAR COVER	1
3	HSCC6.0-SUSHSPG.W6	SPRING WASHER (M6)	2
4	HSCC6.0-SUSFN.B-M6x16	SCREW (M6*16)	2
5	HSCC6.0-040700	BAFFLE	1
6	HSCC6.0-041300	PLUG SCREW (M5×10)	5
7	HSCC6.0-SUSIN.N-M5	LOCK NUT (M5)	5
8	HSCC6.0-SUSFN.W6	WASHER (M6)	9
9	HSCC6.0-042300	DUST SEAL	2
10	HSCC6.0-042200	BUSHING	2
11	HSCC6.0-041700	SHAFT A	1
12	HSCC6.0-042500	SPRING	2
13	HSCC6.0-041100	CAP	1
14	HSCC6.0-042100	SHAFT B	1
15	HSCC6.0-041000	CAP	1
16	HSCC6.0-041200	ARM	1
17	HSCC6.0-041400	PLUG SCREW (M6×30)	1
18	HSCC6.0-SUSIN.N-M6	LOCK NUT (M6)	1
19	HSCC6.0-041500	GUIDE WHEEL	1
20	HSCC6.0-SUSFN.W5	WASHER (M5)	1
21	HSCC6.0-041800	SPACER	2
22	HSCC6.0-042000	FRONT DIVERTER	1
23	HSCC6.0-SUSHSF.S-M5x10	SOCKET COUNTERSUNK HEAD SCREW	2
24	HSCC6.0-SUSHSF.S-M5x30	SOCKET COUNTERSUNK HEAD SCREW	2
25	HSCC6.0-041900	REAR DIVERTER	1
26	HSCC6.0-ST.PIN-6x40	PIN	1
27	HSCC6.0-FHSS.S-M6x10-GB-3	SOCKET HEAD SCREW	5
28	HSCC6.0-SUSFN.W8	WASHER (M8)	4
29	HSCC6.0-SUSHSPG.W8	SPRING WASHER(M8)	2
30	HSCC6.0-SUSFN.B-M8x20	SCREW (M8*20)	2
31	HSCC6.0-040600	FRONT COVER	1
32	HSCC6.0-040900	SCREW	2
33	HSCC6.0-ET.RG8	LOCK WASHER	2
34	HSCC6.0-040800	BAFFLE	1
35	HSCC6.0-042800	SKID PLATE	1
36	HSCC6.0-042900	SPRING PIECE	2
37	HSCC6.0-PAN.S-M5x10-GB-2	PAN HEAD SCREW	2
38	HSCC6.0-041600	"D" LOCK PIN (D)	1



Drawn	WLJ	Model	HSCC6.0	Drawing No.	HSCC6.0-02
Checked		Description	BLADE BLOCK ASSEMBLY		
Approved		Date	2016.07.08		

HSCC6.0-03 BLADE SHAFT ASSEMBLY

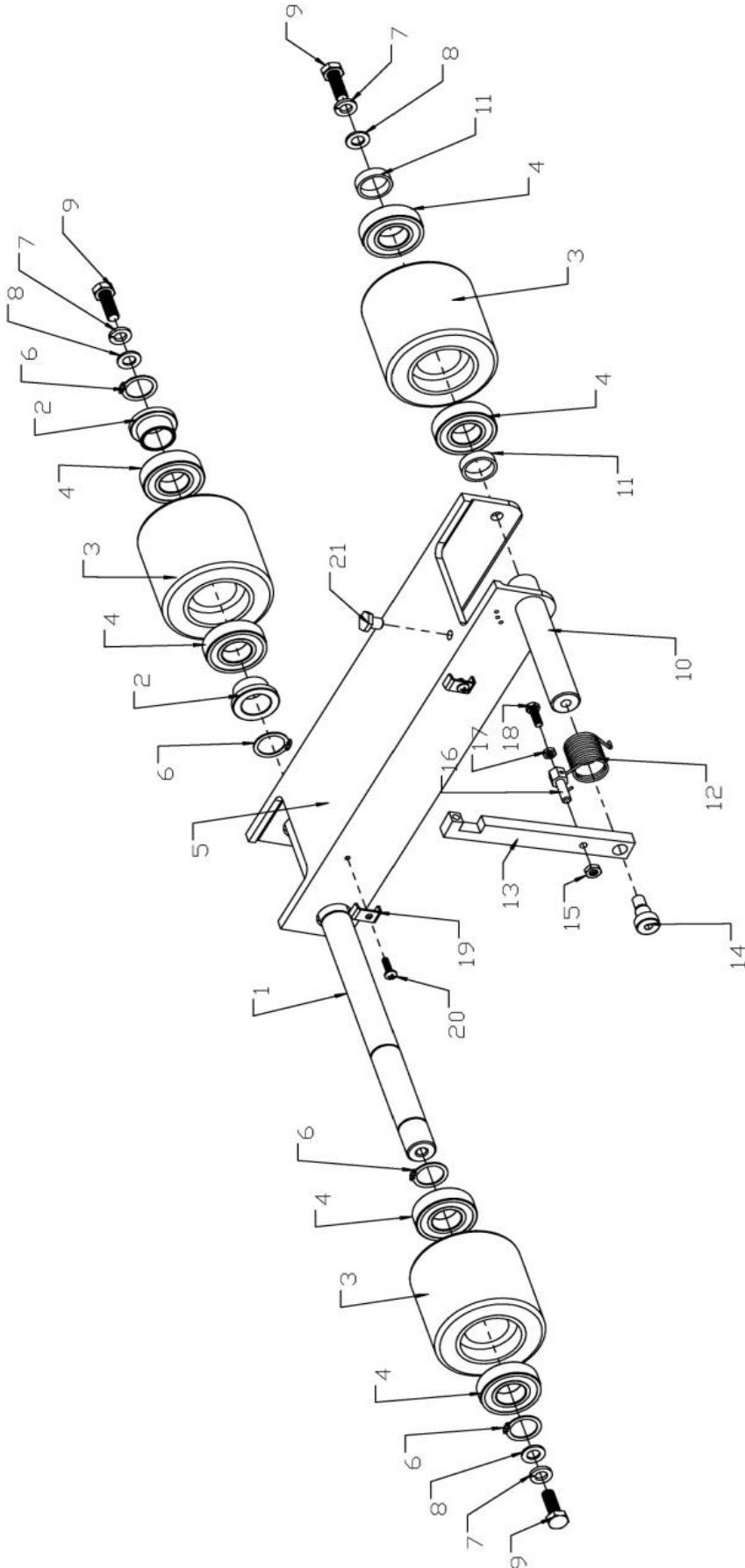
NO.	PART NO.	PART DESCRIPTION	QTY
1	HSCC6.0-SUSFN.W8	WASHER (M8)	4
2	HSCC6.0-SUSHSPG.W8	SPRING WASHER(M8)	4
3	HSCC6.0-SUSFN.B-M8x25	SCREW (M8*25)	4
4	HSCC6.0-SC.PIN-8x25-GB-3	SPRING PIN	2
5	HSCC6.0-040300	BEARING BASE	1
6	HSCC6.0-040200	BLADE SHAFT	1
7	HSCC6.0-W01-6004ZZ-J	BEARING	2
8	HSCC6.0-CH.RG42	INTERNAL CIRCLIP)	2
9	HSCC6.0-CS.RG20	EXTERNAL CIRCLIP	2
10	HSCC6.0-Key.A-5x5x30	KEY	1
11	HSCC6.0-040100	PULLEY(1
12	HSCC6.0-FHSS.S-M6x6-GB-3	SOCKET HEAD SCREW	1
13	HSCC6.0-FHSS.S-M6x8-GB-3	SOCKET SCREW WITH FLAT HEAD	1
14	HSCC6.0-042700	SAW BLADE (6")	1
15	HSCC6.0-042600	ARBOUR WASHER	1
16	HSCC6.0-SUSHSPG.W10	SPRING WASHER(M10)	1
17	HSCC6.0-SUSFN.B-M10x25	SCREW (M10*25)	1



Drawn	WLJ	Model	HSCC6.0	Drawing No.	HSCC6.0-03
Checked		Description	BLADE SHAFT ASSEMBLY		
Approved		Date	2016.07.08		

HSCC6.0-04 WHEEL GARRIAGE ASSEMBLY

NO.	PART NO.	PART DESCRIPTION	QTY
1	HSCC6.0-030100	SHAFT	1
2	HSCC6.0-030300	BUSHING	2
3	HSCC6.0-030200	WHEEL	3
4	HSCC6.0-W01-6004ZZ-J	BEARING	6
5	HSCC6.0-030400	WHEEL FRAME	1
6	HSCC6.0-CS.RG20	EXTERNAL CIRCLIP	4
7	HSCC6.0-SUSHSPG.W8	SPRING WASHER	3
8	HSCC6.0-SUSFN.W8	WASHER	3
9	HSCC6.0-SUSFN.B-M8x25	SCREW	3
10	HSCC6.0-030600	SHAFT	1
11	HSCC6.0-030500	BUSHING	2
12	HSCC6.0-030700	SPRING	1
13	HSCC6.0-030800	LEVER	1
14	HSCC6.0-TOL90GB-010700	PLUG SCREW (M8x10)	1
15	HSCC6.0-SUSFN.N-M6	NUT	1
16	HSCC6.0-031000	CABLE SCREW	1
17	HSCC6.0-SUSFN.N-M5	NUT	1
18	HSCC6.0-SUSFN.B-M5x16	SCREW	1
19	HSCC6.0-031100	CLAMP	2
20	HSCC6.0-PAN.S-M4x16-GB-2	PAN HEAD SCREW	2
21	HSCC6.0-031300	BUTTON	1



Drawn	WLJ	Model	HSCC6_0	Drawing No.	HSCC6_0-04
Checked		Description	WHEEL GARRIAGE ASSEMBLY		
Approved		Date	2016.07.08		

