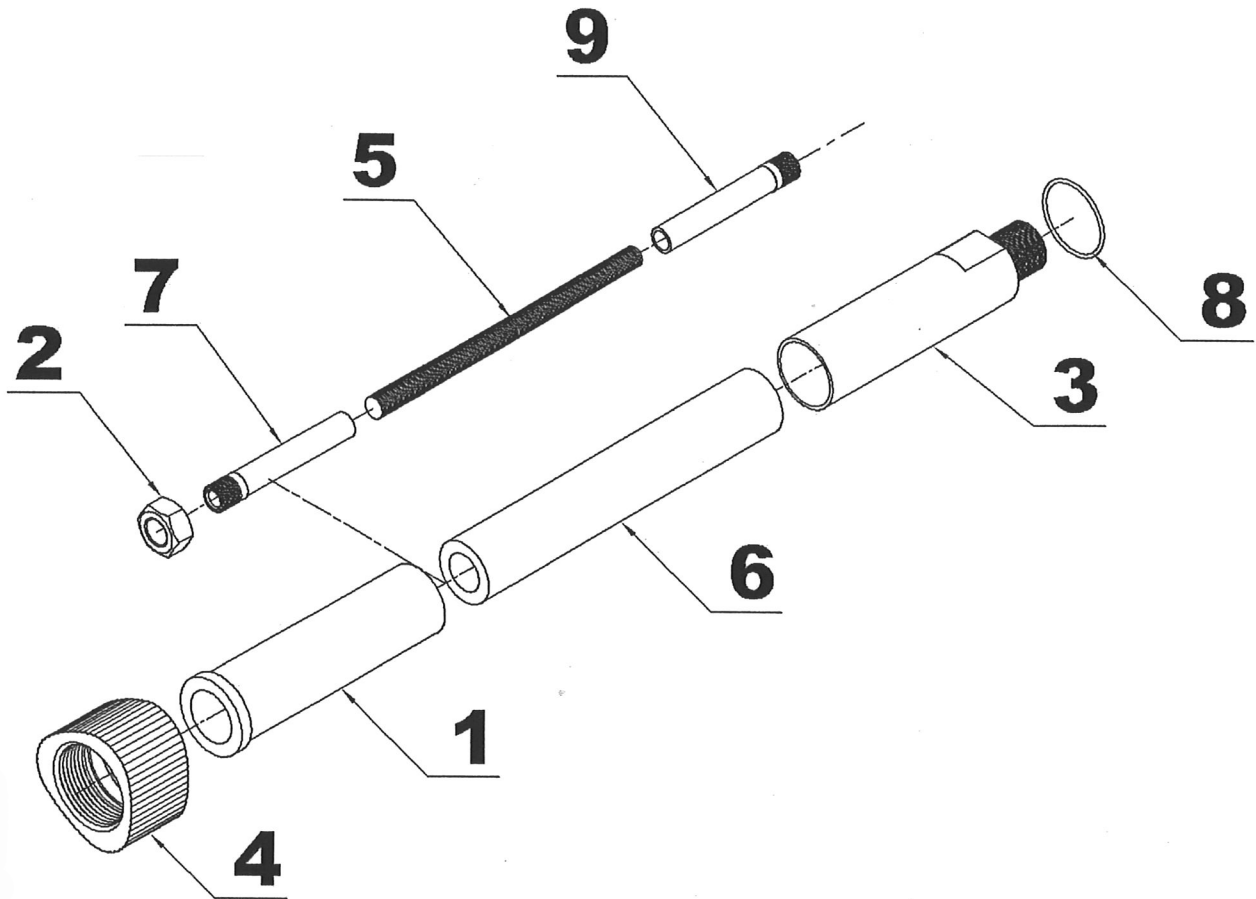


# ENAR TAXE SHAFT ASSEMBLY 2 METRE

To Suit Enar 25mm Head From Serial No 83390601



	Number	Quantity	Description
1	96502	1	MOTOR HOSE JOINT
2	102215	1	NUT HEX. M11 x 1 DIN 934 8.8
3	97402	1	POKER HOSE JOINT
4	96512	1	NUT
5	96702	1	INNER CORE (Does not have 96523 or 96533 fitted)
6	96701	1	HOSE 2m
7	96523	1	MOTOR CONNECTION
8	101865	1	O RING 17 x 1.5
9	96533	1	CONNECTION FINGER



**Concrete Tool  
Importers Ltd**