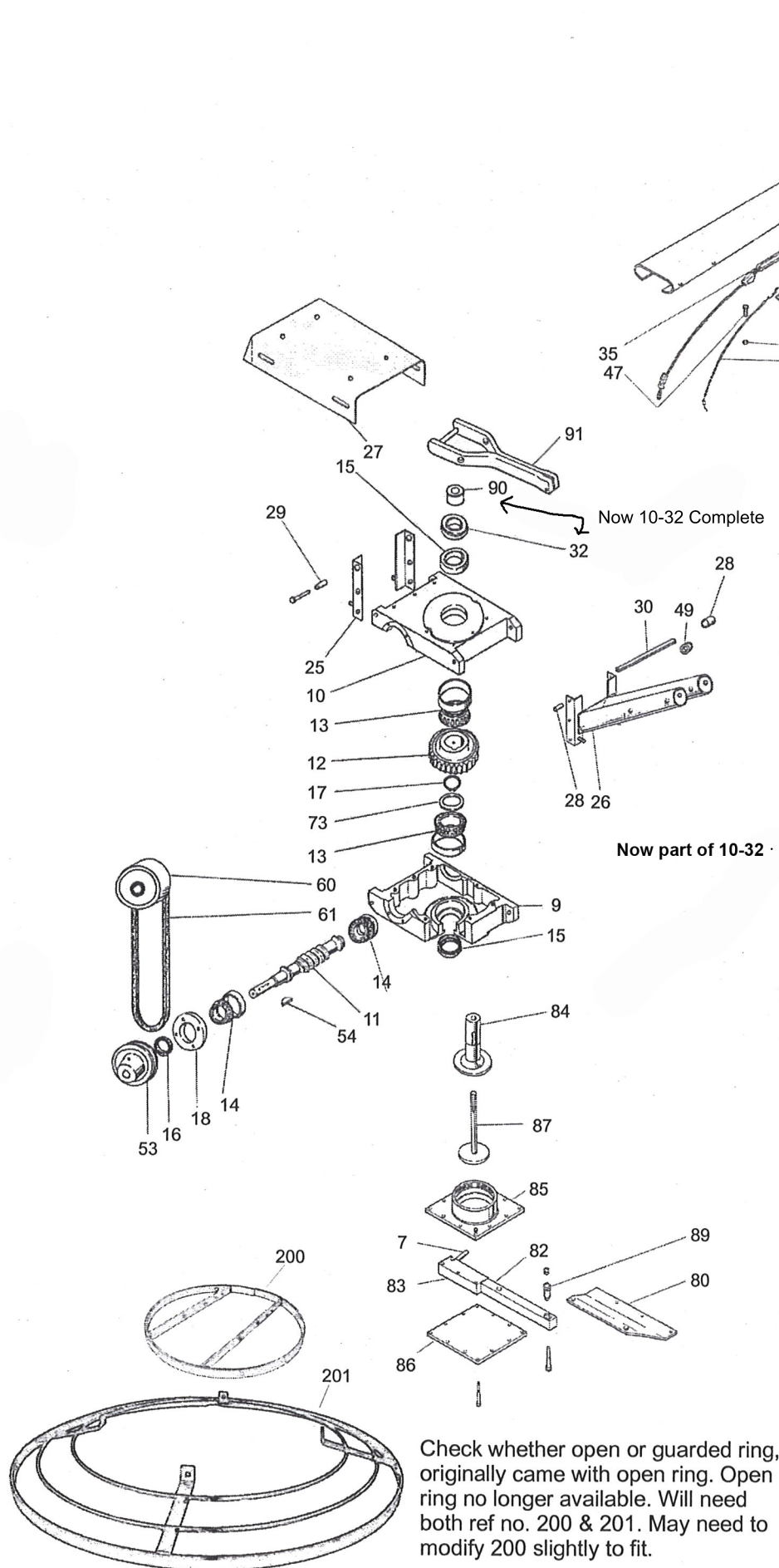


MASTER FINISH TROWELLING MACHINE SERIAL NUMBERS 12000 To 13999



Ref No.	Part No.	Description	Qty
36	10-36	Tilt Threaded Rod	1
38	10-38	Tilt Handle Knob	1
37	10-37	Tilt Handle	1
72	10-72	Tilt Rod Bush	1
39	10-39	Handle Bar Stem	1
74	10-74	Pivot Rod	1
42	10-42	Switch Lever	1
41	10-41	Throttle Lever	1
50	10-50	Handle Bar Grips	2
40	10-40	Handle Bar	1
51	10-51	Handle Bar Clamp	1
48	10-48	Switch Wire & Contact	1
43	10-43	Throttle Link	1
52	10-52	Tilt Nut Guide	1
47	10-47	Throttle Casing Clamp	1
45	10-45	Throttle Cable Assembly	1
35	10-35	Tilt Transfer Rope & Nut	1
27	10-27	Motor Mounting Plate Spacer	2
15	10-15	Large Seal	2
90	10-90	Thrust Bearing Bush	4
91	10-91	Yoked Tilt Lever	1
29	10-29	Motor Mounting Plate Spacer	2
32	10-32	Tilt Thrust Bearing + Bush	1
30	10-30	Pivot Rod	1
49	10-49	Tilt Transfer Wheel	1
28	10-28	Motor Mounting Plate Spacer	2
25	10-25	Gearbox Front Bracket	2
10	10-10	Gearbox Upper Half	1
13	10-13	Large Taper Roller Bearing	2
12	10-12	Worm Wheel	1
17	10-17	Circlip	1
73	10-73	Gearbox Spacer	1
26	10-26	Handle Bar Mounting Bracket	1
60	10-60	Clutch	1
61	10-61	Vee Belt	1
9	10-09	Gearbox Lower Half	1
84	10-84	Flanged Drive Shaft	1
14	10-14	Small Taper Roller Bearing	2
11	10-11	Worm Shaft	1
54	10-54	Vee Belt Pulley Key	1
18	10-18	Gearbox Cap	1
16	10-16	Small Seal	1
53	10-53	Vee Belt Pulley	1
87	10-87	Tilt Push Flanged Rod	1
85	10-85	Base Ass. Drive Plate	1
7	10-07	Tilt Arm	4
83	10-83	Blade Arm Support Bush	4
82	10-82	Square Blade Support Arm	4
89	10-89	Blade Adjusting Insert	4
80	10-80	Blade Carrier	4
86	10-86	Base Ass. Clamp Base	1
200	BGMR	Guard Support Ring	1
201	10-34	Guard Safety Guard 34 Models *	1
	10-40	Guard Safety Guard 40 Models *	1

Check whether open or guarded ring, originally came with open ring. Open ring no longer available. Will need both ref no. 200 & 201. May need to modify 200 slightly to fit.

* Above Guards Replace Earlier 2 Piece Guards