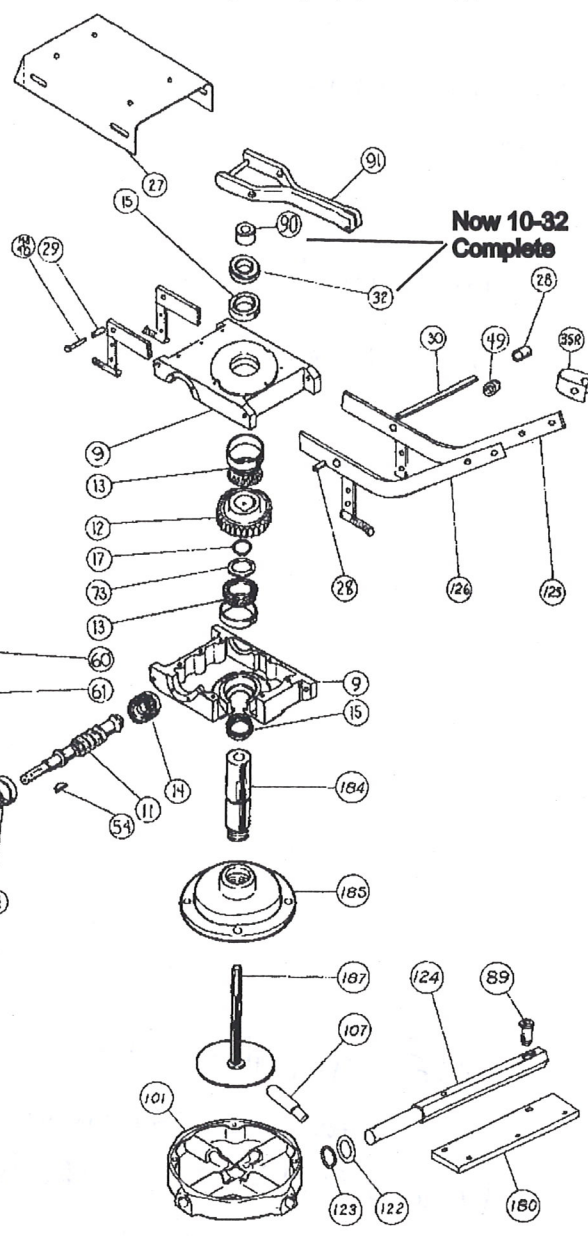
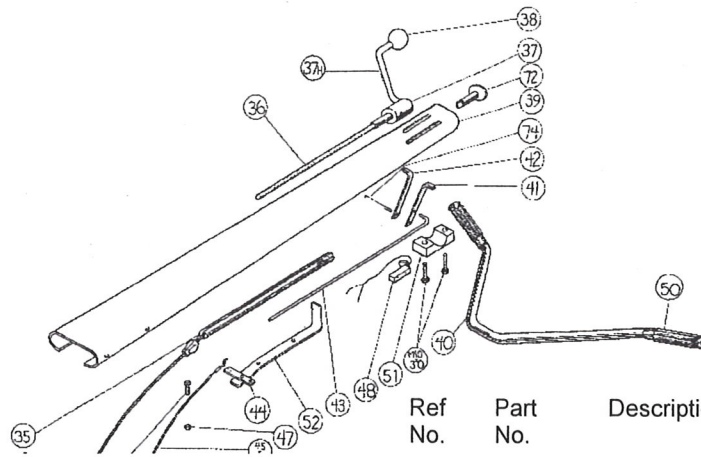
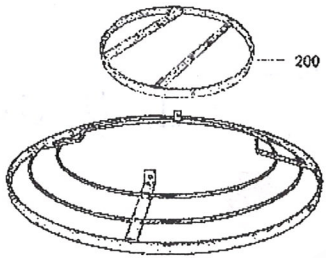


MASTER FINISH TROWELLING MACHINE SERIAL NUMBERS 16000 PLUS



Now 10-32 Complete

Ref No.	Part No.	Description	Qty
9	10-09	Gearbox Casing	1
11	10-11	Worm Shaft	1
12	10-12	Worm Wheel	1
13	10-13	Large Taper Roller Bearing	2
14	10-14	Small Taper Roller Bearing	2
15	10-15	Large Seal	2
16	10-16	Small Seal	1
17	10-17	Circlip	1
18	10-18	Gearbox Cap	1
27	10-27	Motor Mounting Plate Spacer	2
28	10-28	Motor Mounting Plate Spacer	2
29	10-29	Motor Mounting Plate Spacer	2
30	10-30	Pivot Rod	1
32	10-32	Tilt Thrust Bearing & Bush	1
35	10-35	Tilt Transfer Rope & Nut	1
36	10-36	Tilt Threaded Rod	1
37	10-37	Tilt Handle	1
38	10-38	Tilt Handle Knob	1
39	10-39	Handle Bar Stem	1
40	10-40	Handle Bar	1
41	10-41	Throttle Lever	1
42	10-42	Switch Lever	1
43	10-43	Throttle Link	1
45	10-45	Throttle Cable Assembly	1
47	10-47	Throttle Casing Clamp	1
48	10-48	Switch Wire & Contact	1
49	10-49	Tilt Transfer Wheel	1
50	10-50	Handle Bar Grips	2
51	10-51	Handle Bar Clamp	1
52	10-52	Tilt Nut Guide	1
53	10-53	Vee Belt Pulley	1
54	10-54	Vee Belt Pulley Key	1
60	10-60	Clutch	1
61	10-61	Vee Belt A25	1
72	10-72	Tilt Rod Bush	1
73	10-73	Gearbox Spacer	1
74	10-74	Pivot Rod	1
89	10-89	Blade Adjusting Insert	4
91	10-91	Yolked Tilt Lever	1
101	10-101	Base Housing	1
107	10-107	Tilt Arm	4
122	10-122	Steel Spacer	4
123	10-123	O Ring	4
124	10-124	Hex Blade Arm	4
125	10-125	Right Hand Stem Bracket	1
126	10-126	Left Hand Stem Bracket	1
184	10-184	Drive Shaft	1
185	10-185	Drive Plate	1
187	10-187	Tilt Push Flanged Rod	1
200	BGMR	Guard Support Ring	1
201	10-34	Guard Safety Guard 34 Models *	1
35R	10-35R	Wire Rope Retainer	1
	10-40	Guard Safety Guard 40 Models *	1



Check whether open or guarded ring. Some originally came with open ring. Open ring no longer available. Will need both ref no. 200 & 201.



**Concrete Tool
Importers Ltd**